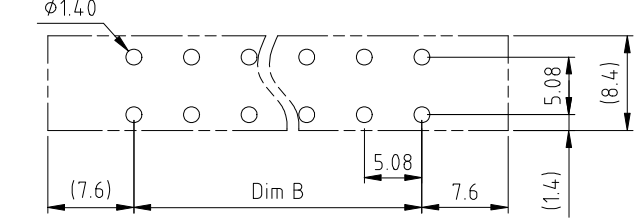
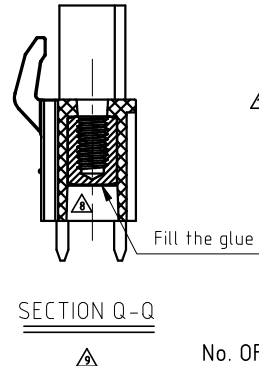
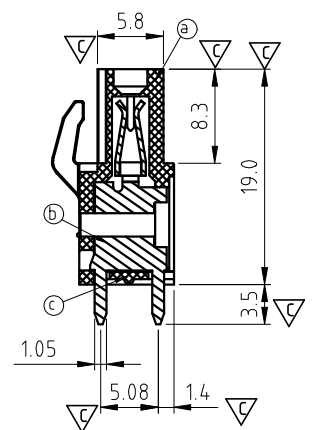
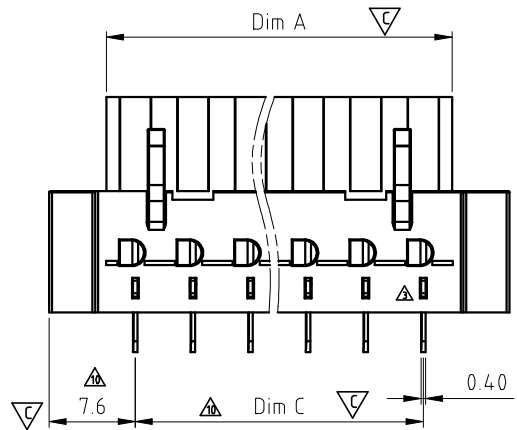
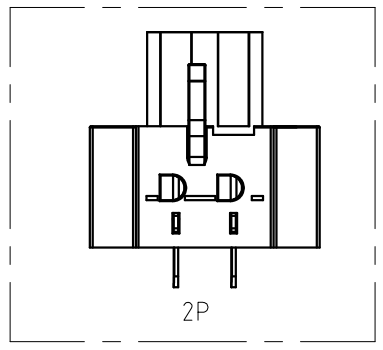
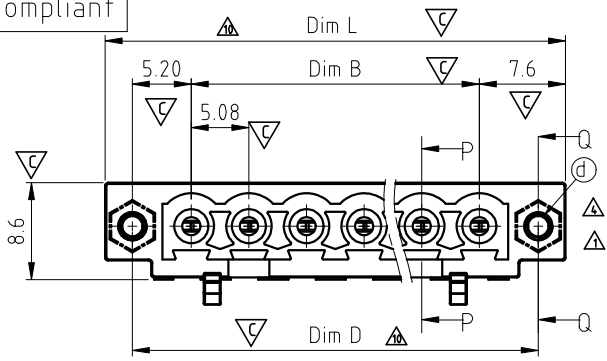


RoHS Compliant



P.C.B LAYOUT
TOP VIEW

(N= Number of poles)

DIM	TOL	TOL			
		2P-6P	7P-12P	13P-18P	19P-24P
Dim L	(N-1)×5.08+15.2	±0.15	±0.20	±0.30	±0.40
Dim A	N×5.08		+0.0 -0.20		+0.0 -0.40
Dim B	(N-1)×5.08	±0.15	±0.20	±0.30	±0.40
Dim C	(N-1)×5.08	±0.15	±0.20	±0.30	±0.40
Dim D	(N-1)×5.08+10.4	±0.15	±0.20	±0.30	±0.40

SIGN	DATE	DESCRIPTION	APPROVER
△	7/23'08	With flange type is changed	Marvin
△	7/23'08	Operating temperature is changed	Marvin
△	04/20'09	The design is changed	Jacke
△	04/20'09	The design is changed from the round hole to hexagonal hole	Jacke
△	04/20'09	Add cULus standard	Jacke
△	04/20'09	Add the 2p mark	Jacke
△	04/20'09	The current rating is changed from 10A to 20A	Jacke
△	04/28'12	Flange Nut is changed	Guoxue
△	04/28'12	Add the cutaway view	Guoxue
△	04/28'12	The dimensions are added	Guoxue
△	2014.09.27	The current rating is changed from 20A to 10A	Evan

THIS IS CAD DRAWING, DO NOT REVISE MANUALLY!!!

Materials

- ItemⒶ Terminal housing:Thermoplastic (UL94V-0)
- ItemⒷ Female contact:PhBz(CuSn), Tin plated
- ItemⒸ Terminal cover:Thermoplastic (UL94V-0)
- ItemⒹ Flange Nut:Brass M2.5

Electrical

- Voltage rating: 300VAC
- Current rating: 10A
- Withstanding Voltage: 1.6kv
- Operating temperature: -40°C to +115°C
- Soldering temperature: 260°C±5°C/5 Sec
- Safety Approval: cULus
- Critical dimension:

V7 xx 5 2 x 0 xxxx G

No. OF POLES	Color	G RoHS compliant (lead<4%)
02 2 ploes	0 Black (RAL9005)	In copper Alloy
03 3 ploes	2 Red (RAL3001/D)	0000: "@ " Logo (Standard)
... ..	3 Orange(RAL2011/P)	000A: "ANYTEK" Mark
24 24 ploes	4 Yellow(RAL1018/A)	Any special item by customer request. please contact sales department.
	5 Green(RAL6018/T)	
	6 Blue (RAL5015/A)	
	8 Grey(RAL7035/D)	
	9 White(RAL1102)	
	C Green(RAL6018/U)	

Amphenol ANYTEK

CUSTOMER COPY

ALL RIGHTS RESERVED. REPRODUCTION OR ISSUE TO THIRD PARTIES IN ANY FORM WHATSOEVER IS NOT PERMITTED WITHOUT WRITTEN AUTHORITY FROM THE PROPRIETOR. PROPERTY OF ANYTEK TECHNOLOGY CO., LTD

TITLE		V7 5.08 Series Vertical (With flange)			
PART NO.	V7xx52x0xxxxG	DWG NO.	8V70303		
APPROVED	CHECKED	DESIGNED	DRAWN	CUST NO.	Tolerance
		Rhine 20211202	Rhine 20211202		X. ±0.5 X.X ±0.3 X.XX ±0.1 X° ±1°
				SHEET: 01/01	REV.: J