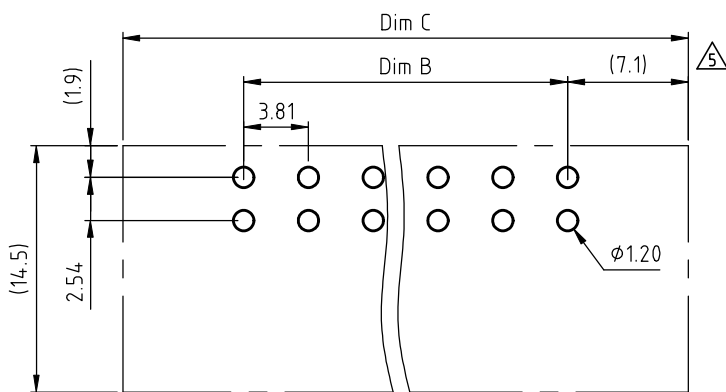
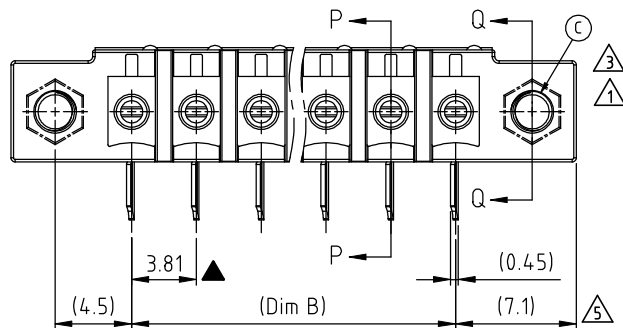
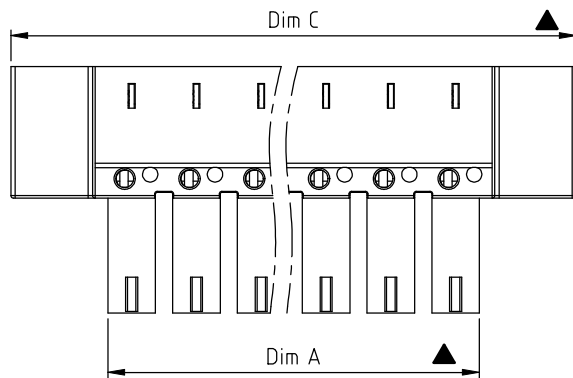


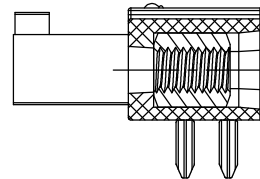
RoHS Compliant



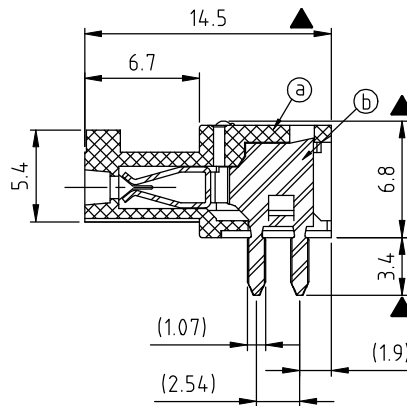
RECOMMENDED PCB LAYOUT

N = Number of poles
 Dim A = $(N-1) \times 3.81 + 2.8$
 Dim B = $(N-1) \times 3.81$
 Dim C = $(N-1) \times 3.81 + 14.5$

Poles	Dim A/C TOL
2-5p	±0.10
6-10p	±0.15
11-15p	±0.20
16-20p	±0.25
21-24p	±0.30



SECTION Q-Q



SECTION P-P

REV	SIGN	DATE	DESCRIPTION	APPROVER
C		7/23'08	With flange type is changed	Marvin
C		7/23'08	Operating temperature is changed	Marvin
D		2009.11.14	The design is changed from the round hole to hexagonal hole.	Jacke
E		2010.01.12	Add cULus standard	Jacke
F		04/20-20	update the drawing	Chen Bo
F		04/20-20	Add the view	Chen Bo

THIS IS CAD DRAWING, DO NOT REVISE MANUALLY!!!

Materials

Item@ Terminal body:Thermoplastic (UL94V-0)

ItemⓉ Female contact:PhBz(CuSn), Bright Tin plated over Nickel plated

ItemⓄ With Flange Nut :Brass M2.5

Electrical

- Voltage rating: 300V AC
- Current rating: 8A
- Withstanding Voltage: 1.6Kv
- Operating temperature: -40°C to +115°C
- Wave soldering temperature: 260°C±5°C/5 Sec
- Safety Approval:
- Critical dimension:
- Reference dimension:

(×)The dimensions of pitch are just for reference, take the actual assembly result as a judgment when inserting the terminal block into the PCB hole.

V7 xx 3 2 x 1 xxxx G

No. OF POLES

02 2 Pole

03 3 Pole

...

24 24 Pole

Color

- 0 Black (RAL9005)
- 2 Red (RAL3001/D)
- 3 Orange(RAL2011/P)
- 4 Yellow(RAL1018/A)
- 5 Green(RAL6018/T)
- 6 Blue (RAL5015/A)
- 8 Grey(RAL7035/D)
- 9 White(RAL1102)
- C Green(RAL6018/U)

G RoHS compliant (lead<4%) In copper Alloy

0000: "@ " Logo (Standard)
 000A: "ANYTEK" Mark
 Any special item by customer request. please contact sales department.

Amphenol ANYTEK				CUSTOMER COPY			
ALL RIGHTS RESERVED. REPRODUCTION OR ISSUE TO THIRD PARTIES IN ANY FORM WHATSOEVER IS NOT PERMITTED WITHOUT WRITTEN AUTHORITY FROM THE PROPRIETOR. PROPERTY OF ANYTEK TECHNOLOGY CO., LTD							
TITLE		V7 3.81 series Right angle With flange					
PART NO.		V7xx32x1xxxxG		DWG NO.		8V70103	
APPROVED	CHECKED	DESIGNED	DRAWN	CUST NO.		Tolerance	
		Chen Bo	Jacke			X. ±0.5	
		04/20-20	2010.01.14			UNIT: mm	X.X ±0.3
						SCALE: NONE	X.XX ±0.1
				SHEET: 01/01		X° ±1°	
				REV.: F			