


SIGN	DATE	DESCRIPTION	APPROVER
△	7/23'08	With flange type is changed	Marvin
△	7/23'08	Operating temperature is changed	Marvin
△	2009.11.14	The design is changed from the round hole to hexagonal hole.	Jacke
△	2010.01.12	Add cULus standard	Jacke
△	11/27-14	<b>Change the Current rating from 8A to 4A</b>	<b>Evan</b>

**THIS IS CAD DRAWING, DO NOT REVISE MANUALLY!!!**

**Materials**

- Item a Terminal body:Thermoplastic (UL94V-0)
- Item b Female contact:PhBz(CuSn), Tin plated
- Item c With Flange Nut :Brass M2.5

**Electrical**

- Voltage rating: 300V AC
- Current rating: 4A
- Withstanding Voltage: 1.6kv
- Operating temperature: -40°C to +115°C
- Soldering temperature: 260°C±5°C/5 Sec
- Safety Approval: 

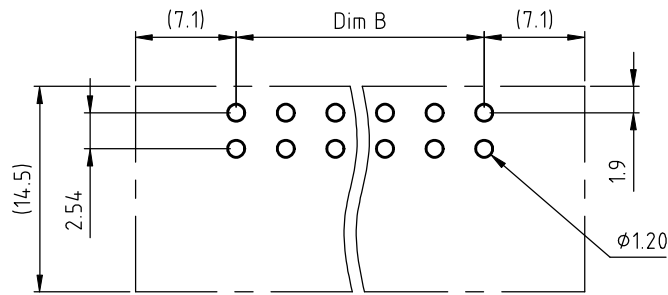
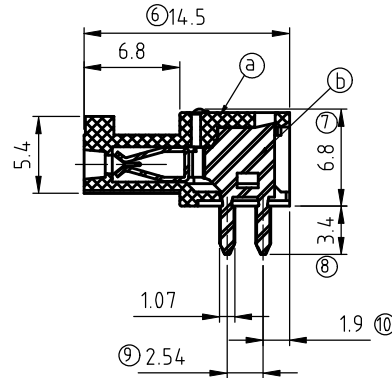
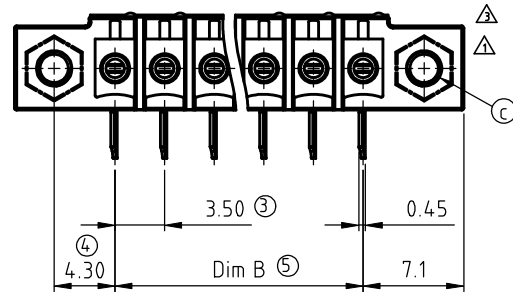
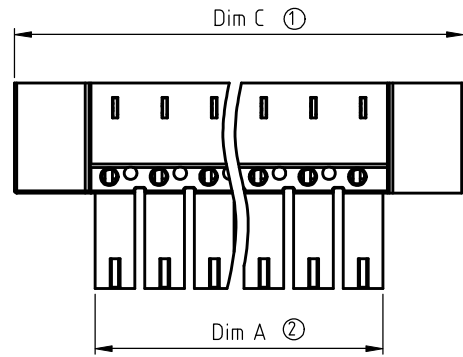
V7 xx 1 2 x 1 xxxx G

No. OF POLES  
02: 2 POLES  
:  
24: 24 POLES

- Colour
- 0 Black (RAL9005)
  - 2 Red (RAL3001/D)
  - 3 Orange(RAL2011/P)
  - 4 Yellow(RAL1018/A)
  - 5 Green(RAL6018/T)
  - 6 Blue (RAL5015/A)
  - 8 Grey(RAL7035/D)
  - 9 White(RAL1102)
  - C Green(RAL6018/U)

**G RoHS compliant (lead<4%) In copper Alloy**

0000: "@ Logo (Standard)  
000A: "ANYTEK" Mark  
Any special item by customer request. please contact sales department.



P.C.B. LAYOUT

Poles	02	03	04	05	06	07	08	09	10	11	12	13
Dim A	6.3	9.8	13.3	16.8	20.3	23.8	27.3	30.8	34.3	37.8	41.3	44.8
Dim B	3.5	7.0	10.5	14.0	17.5	21.0	24.5	28.0	31.5	35.0	38.5	42.0
Dim C	17.7	21.2	24.7	28.2	31.7	35.2	38.7	42.2	45.7	49.2	52.7	56.2
TOL	±0.1				±0.15				±0.2			
Poles	14	15	16	17	18	19	20	21	22	23	24	
Dim A	48.3	51.8	55.3	58.8	62.3	65.8	69.3	72.8	76.3	79.8	83.3	
Dim B	45.5	49.0	52.5	56.0	59.5	63.0	66.5	70.0	73.5	77.0	80.5	
Dim C	59.7	63.2	66.7	70.2	73.7	77.2	80.7	84.2	87.7	91.2	94.7	
TOL	±0.2				±0.25				±0.30			

<b>ANYTEK</b>				<b>CUSTOMER COPY</b>			
ALL RIGHTS RESERVED. REPRODUCTION OR ISSUE TO THIRD PARTIES IN ANY FORM WHATSOEVER IS NOT PERMITTED WITHOUT WRITTEN AUTHORITY FROM THE PROPRIETOR. PROPERTY OF ANYTEK TECHNOLOGY CO., LTD							
TITLE		V7 3.5 series Right angle With flange					
PART NO.		V7xx12x1xxxxG			DWG NO.		8V70003
APPROVED		CHECKED	DESIGNED	DRAWN	CUST NO.		Tolerance
			Evan 2014.11.27	Evan 2014.11.27			X. ±0.5 X.X ±0.3 X.XX ±0.1 X° ±1°
				SHEET: 01/01		UNIT: mm	
						SCALE: NONE	
						REV.: F	