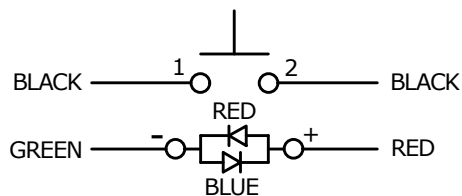
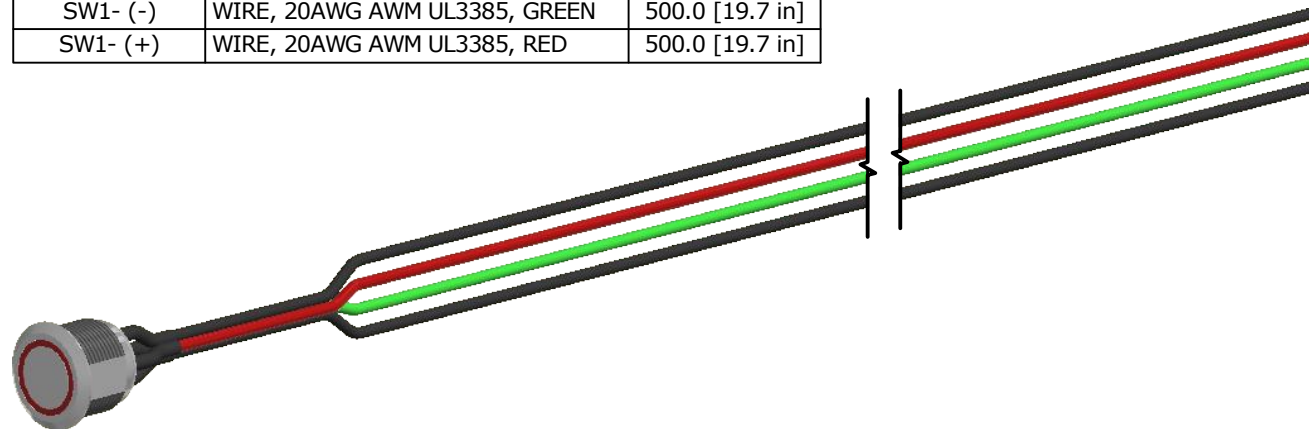


RECOMMENDED PANEL CUTOUT
MAX. PANEL THICKNESS 1-6mm

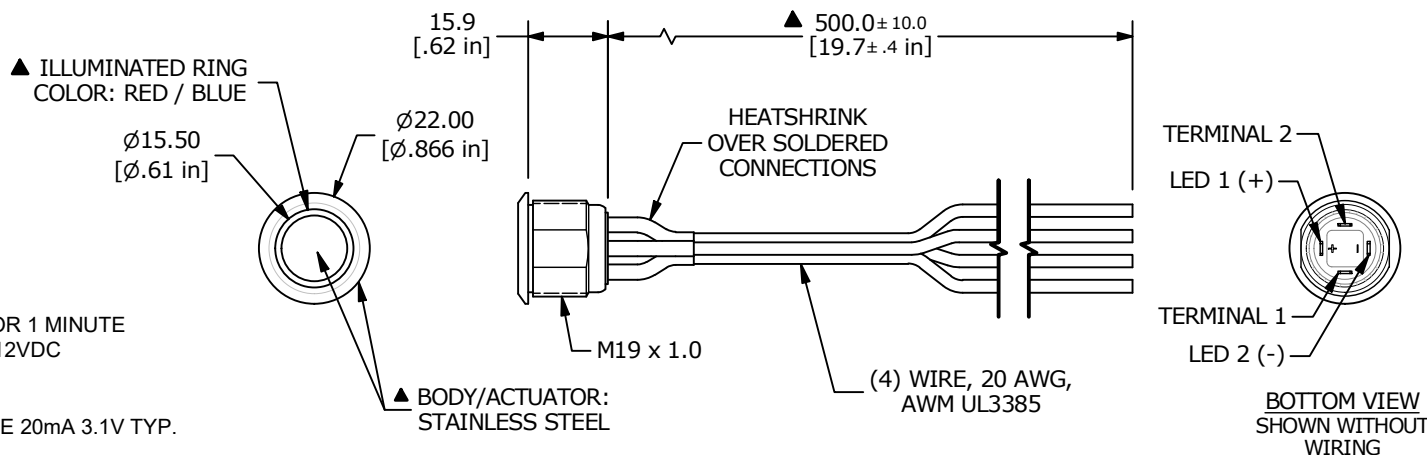


SCHEMATIC
SPST - OFF-(ON)
() DENOTES MOMENTARY

SWITCH	WIRE	LENGTH
SW1-1	WIRE, 20AWG AWM UL3385, BLACK	500.0 [19.7 in]
SW1-2	WIRE, 20AWG AWM UL3385, BLACK	500.0 [19.7 in]
SW1- (-)	WIRE, 20AWG AWM UL3385, GREEN	500.0 [19.7 in]
SW1- (+)	WIRE, 20AWG AWM UL3385, RED	500.0 [19.7 in]



- NOTE:
1. ALL DIMENSIONS IN MM [INCH]
 2. GENERAL TOLERANCE: X.X = ±0.4
X.XX = ±0.25
 3. TERMINAL NUMBERS FOR REF ONLY
 4. CONTACT MATERIAL: SILVER
 5. RATING: 2A 36 VDC
 6. ELECTRIC LIFE: 200,000 CYCLES
 7. DIELECTRIC STRENGTH: 2,000 VAC MIN. FOR 1 MINUTE
 8. CONTACT RESISTANCE: 50mΩ MAX. @ 1A 12VDC
 9. OPERATING TEMP.: -20°C to 70°C
 11. ▲ DENOTES CRITICAL PARAMETER.
 - ▲ 12. LAMP VOLTAGE: RED 20mA 2.0V TYP., BLUE 20mA 3.1V TYP.
 13. TRAVEL: 1.80mm
 14. ACTUATION FORCE: 4.5 ± 1.5 N
 - 15 MOUNTING NUT TORQUE: 1-3 Nm
 16. INGRESS PROTECTION: IP67, IK10
 17. HARDWARE SUPPLIED: O-RING AND HEXNUT



REV	ECO NO	DESCRIPTION	DATE	BY
C	ECO-100755	UPDATE PANEL CUTOUT	02/18/22	JS



OBJECT ID
000025969

TITLE SV4FW3SS-3H1		SCALE 2:3	DATE 11/5/2019	DR MJR	DWG T840500	REV C
-----------------------	--	--------------	-------------------	-----------	----------------	----------