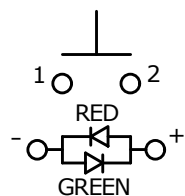


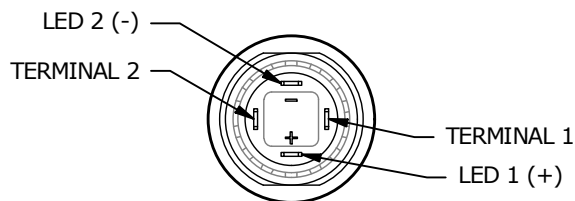
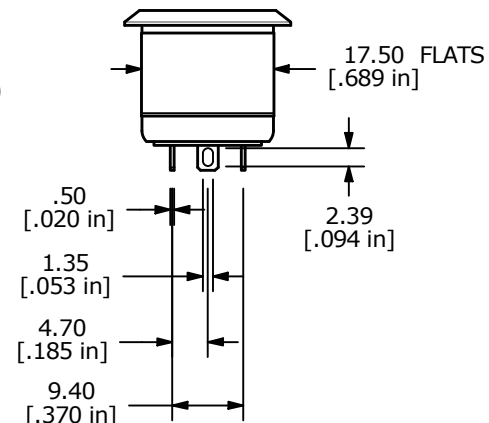
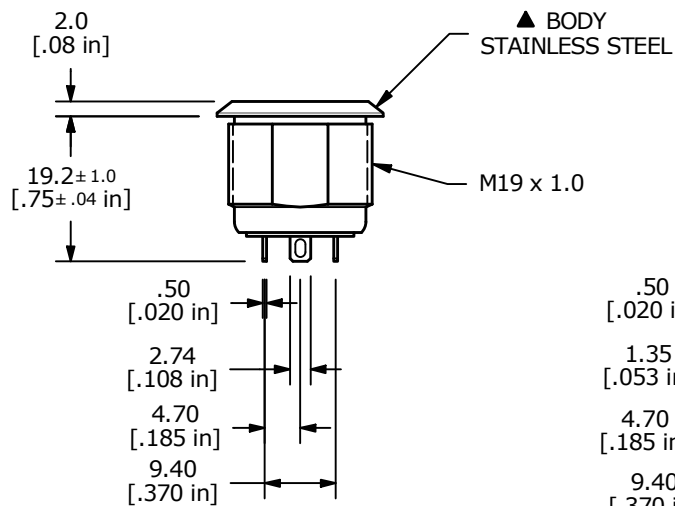
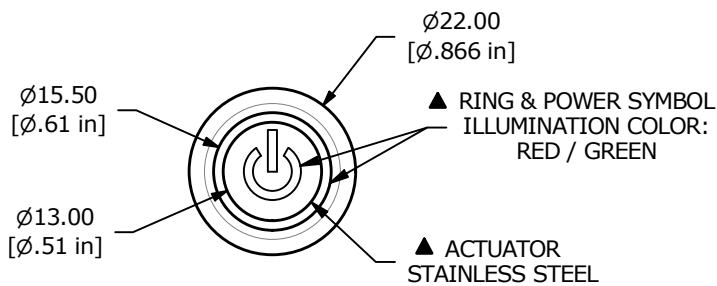
RECOMMENDED PANEL CUTOUT
MAX. PANEL THICKNESS 1-6mm



SCHEMATIC
SPST - OFF-(ON)
() DENOTES MOMENTARY

NOTE:

1. ALL DIMENSIONS IN MM [INCH]
2. GENERAL TOLERANCE: X.X = ±0.4
X.XX = ±0.25
3. TERMINAL NUMBERS FOR REF ONLY
4. CONTACT MATERIAL: SILVER
5. RATING: 2A 36 VDC
6. ELECTRIC LIFE: 200,000 CYCLES
7. DIELECTRIC STRENGTH: 2,000 VAC MIN. FOR 1 MINUTE
8. CONTACT RESISTANCE: 50mΩ MAX. @ 1A 12VDC
9. OPERATING TEMP.: -20°C to 70°C
11. ▲ DENOTES CRITICAL PARAMETER.
- ▲ 12. LAMP VOLTAGE: RED 20mA 2.0V TYP., GREEN 20mA 3.1V TYP.
13. TRAVEL: 1.80mm
14. ACTUATION FORCE: 4.5 ± 1.5 N
15. MOUNTING NUT TORQUE: 1-3 Nm
16. INGRESS PROTECTION: IP67, IK10
17. HARDWARE SUPPLIED: O-RING AND HEXNUT



REV	ECO NO	DESCRIPTION	DATE	BY	E-SWITCH®				OBJECT ID
C	ECO-100741	UPDATE PANEL CUTOUT	02/18/22	JS	TITLE SV4F23SS-6G1				000025964
									SCALE 1:1

THE INFORMATION CONTAINED IN THIS DOCUMENT IS PROPRIETARY TO E-SWITCH AND IS NOT TO BE COPIED OR TRANSFERRED