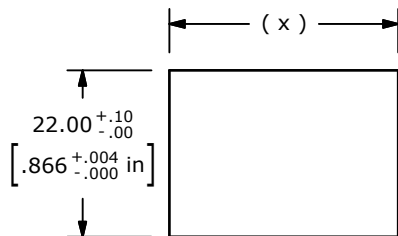
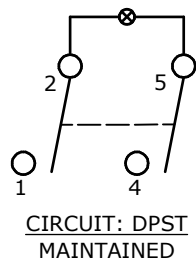


| SWITCH FUNCTION | |
|-----------------|----------|
| POS. 1 | POS. 2 |
| | |
| OFF | ON |
| OPEN | 2-1, 5-4 |

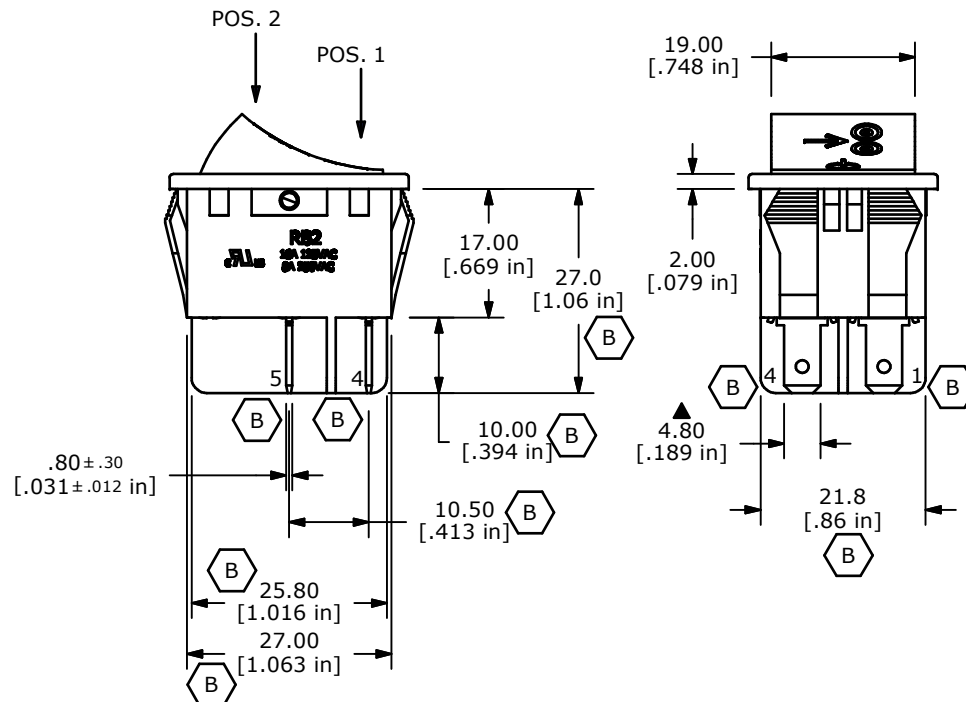


PANEL CUTOUT

| PANEL THICKNESS | (x) |
|-----------------|------|
| 0.75 - 1.25 | 30.0 |
| 1.25 - 2.00 | 30.2 |
| 2.00 - 3.00 | 30.5 |

NOTE:

1. DIMENSIONS IN MM [INCH]
2. GENERAL TOLERANCE: X.X = ± 0.4
X.XX = ± 0.25
3. TERMINAL NUMBERS FOR REF ONLY
4. CONTACT MATERIAL: SILVER
5. CONTACT RATINGS: 16A @ 125VAC T85 [cULus]
8A @ 250VAC T85 [cULus]
16(4)A 250V~ 1E4 T125/55 [ENEC]
6. CONTACT RESISTANCE: 20mΩ MAX. INITIAL
7. INSULATION RESISTANCE: 100MΩ MIN. @ 500VDC
8. DIELECTRIC STRENGTH: 1,000VAC FOR 1 MINUTE
9. ELECTRICAL LIFE: 6,000 CYCLES [cURus]
10. OPERATING TEMPERATURE: -20°C TO 55°C [cURus]
11. ▲ DENOTES CRITICAL PARAMETER
12. 2002/95/EC (ROHS) COMPLIANT
13. NEON LAMP VOLTAGE: 125V



| | | | | |
|-----|--------|-----------------------------|----------|-----|
| B | 21308 | CORRECT HOUSING DIMS/LABELS | 11/18/13 | EBP |
| A | 21149 | RELEASE FOR PRODUCTION | 6/4/13 | EBP |
| REV | PCR NO | DESCRIPTION | DATE | BY |

| | | | | |
|------------------------|---------------|--------|------------------------|-------|
| TITLE RB212C101Z95-126 | | | | |
| SCALE | DATE 6/4/2013 | DR EBP | DWG 38-RB212C101Z95126 | REV B |

THE INFORMATION CONTAINED IN THIS DOCUMENT IS PROPRIETARY TO E-SWITCH AND IS NOT TO BE COPIED OR TRANSFERRED