

# REL-MR- 24AC/21-21/MS - Single relay



2987956

<https://www.phoenixcontact.com/gb/products/2987956>

Please be informed that the data shown in this PDF document is generated from our online catalog. Please find the complete data in the user documentation. Our general terms of use for downloads are valid.



Plug-in miniature relay, with power contact, 2 changeover contacts, test button, mechanical switching position indicator, status LED, input voltage 24 V AC

## Your advantages

- With detectable manual operation
- Switching current of up to 16 A
- DC types with integrated freewheeling diode
- Integrated status LED
- Mechanical switch position indicator

## Commercial data

Item number	2987956
Packing unit	10 pc
Minimum order quantity	10 pc
Sales key	CK6195
Product key	CK6195
Catalog page	Page 292 (C-5-2019)
GTIN	4046356480666
Weight per piece (including packing)	19.57 g
Weight per piece (excluding packing)	18.09 g
Customs tariff number	85364190
Country of origin	CN

## Technical data

### Product properties

Product type	Single relay
Mechanical service life	5x 10 <sup>6</sup> cycles

### Electrical properties

Service life electrical	see diagram
Maximum power dissipation for nominal condition	0.77 W
Test voltage (Winding/contact)	5 kV AC (50 Hz, 1 min., winding/contact)
Test voltage (Contact/contact)	2.5 kV AC (50 Hz, 1 min., contact/contact)

### Input data

#### Coil side

Nominal input voltage $U_N$	24 V AC
Input voltage range	18.7 V AC ... 34.8 V AC
Mains frequency	50/60 Hz
Drive and function	monostable
Drive (polarity)	non-polarized
Typical input current at $U_N$	32 mA
Typical response time	3 ms ... 12 ms (depending on phase relation)
Typical release time range	2 ms ... 8 ms (depending on phase relation)

### Output data

#### Switching

Contact switching type	2 changeover contacts
Type of switch contact	Single contact
Contact material	AgNi
Maximum switching voltage	250 V AC/DC
Minimum switching voltage	12 V (at 10 mA)
Limiting continuous current	8 A
Maximum inrush current	16 A (20 ms)
Min. switching current	10 mA (at 12 V)
Interrupting rating (ohmic load) max.	2000 VA (for 250 V AC)
Switching capacity	1 A (at 24 V, DC13)
	1.5 A (at 24 V, AC15)
	1.5 A (at 120 V, AC15)
	1.5 A (at 240 V, AC15)
Motor load according to UL 508	1/4 HP, 120 V AC (N/O contact)
	1/2 HP, 240 V AC (N/O contact)
	1/4 HP, 120 V AC (N/C contact)
	1/3 HP, 240 V AC (N/C contact)

# REL-MR- 24AC/21-21/MS - Single relay



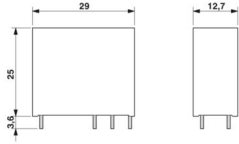
2987956

<https://www.phoenixcontact.com/gb/products/2987956>

## Connection data

Connection method	Plug / solder connection
-------------------	--------------------------

## Dimensions

Dimensional drawing	
Width	12.7 mm
Height	29 mm
Depth	25 mm

## Environmental and real-life conditions

### Ambient conditions

Ambient temperature (operation)	-40 °C ... 70 °C
Ambient temperature (storage/transport)	-40 °C ... 85 °C

## Approvals

### Corrosive gas test

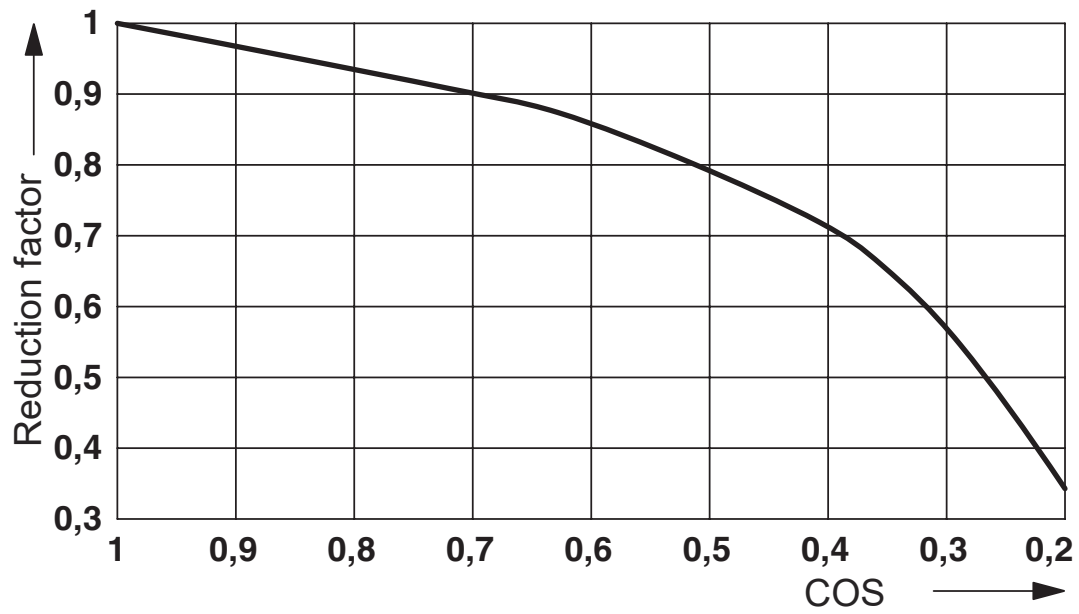
Identification	ISA-S71.04. G3 Harsh Group
	EN 60068-2-60

## Standards and regulations

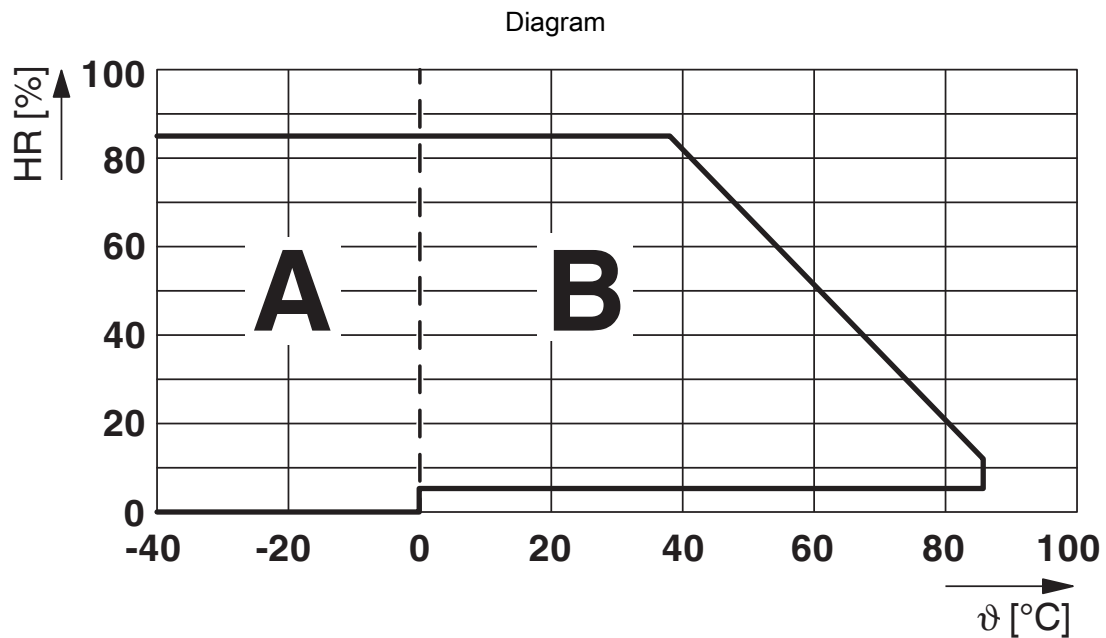
Standards/regulations	EN 61810-1
	VDE 0435-201
	EN 50178

Drawings

Diagram



Service life reduction factor with various cos phi



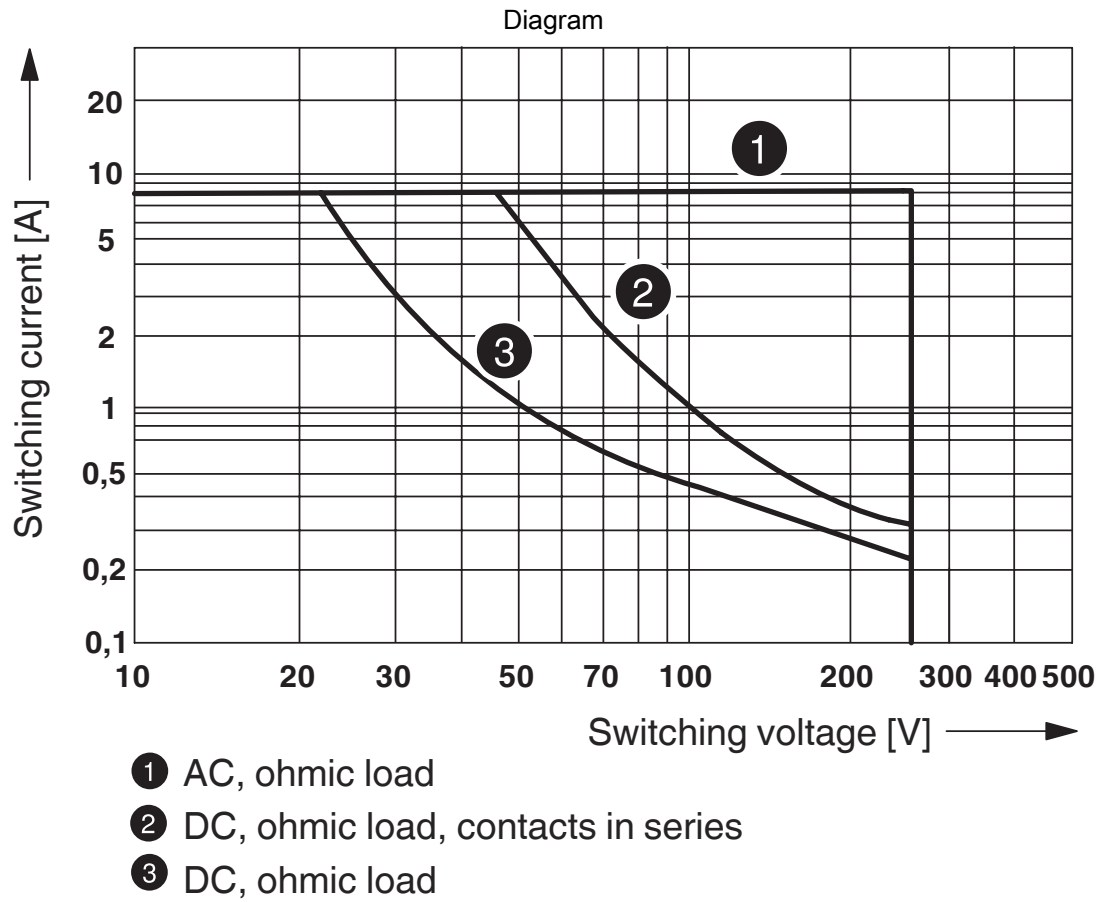
Permissible humidity for operation and storage.

The maximum permissible ambient temperature as specified in the data sheet must be observed.

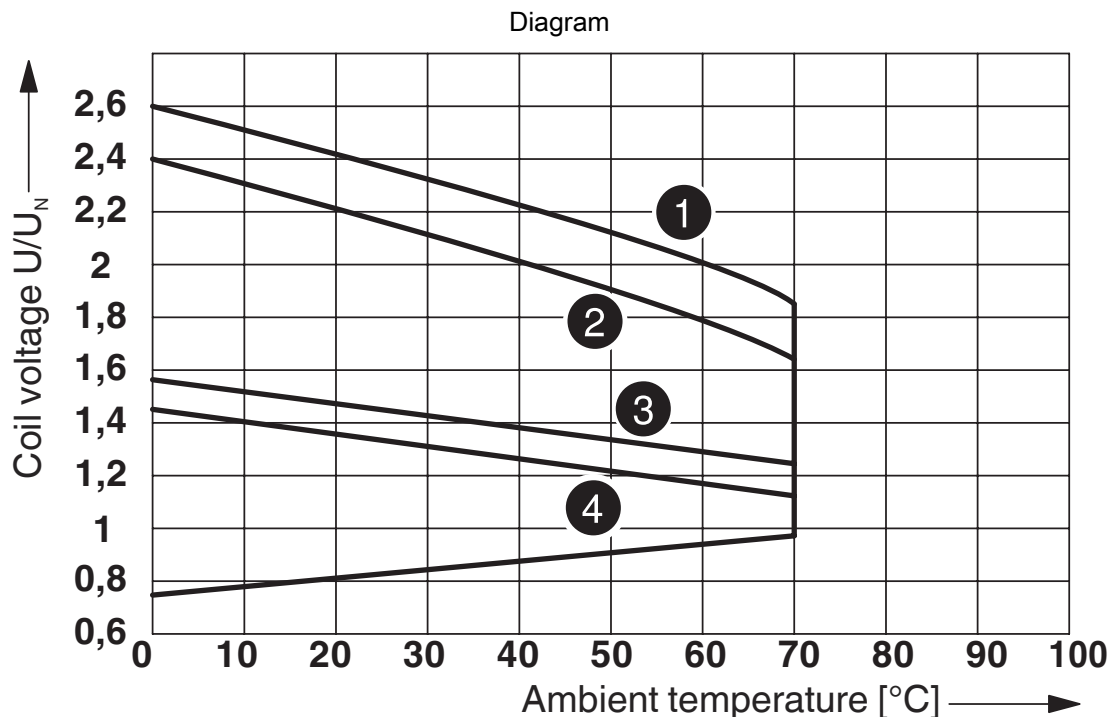
Area A: Ice buildup at ambient temperatures  $\leq 0^{\circ}\text{C}$  must be prevented

Area B: Condensation at ambient temperatures  $> 0^{\circ}\text{C}$  must be prevented

On 30 full days that are naturally distributed across an entire year, a humidity level of 95% is permissible at an ambient temperature  $\leq 25^{\circ}\text{C}$ .



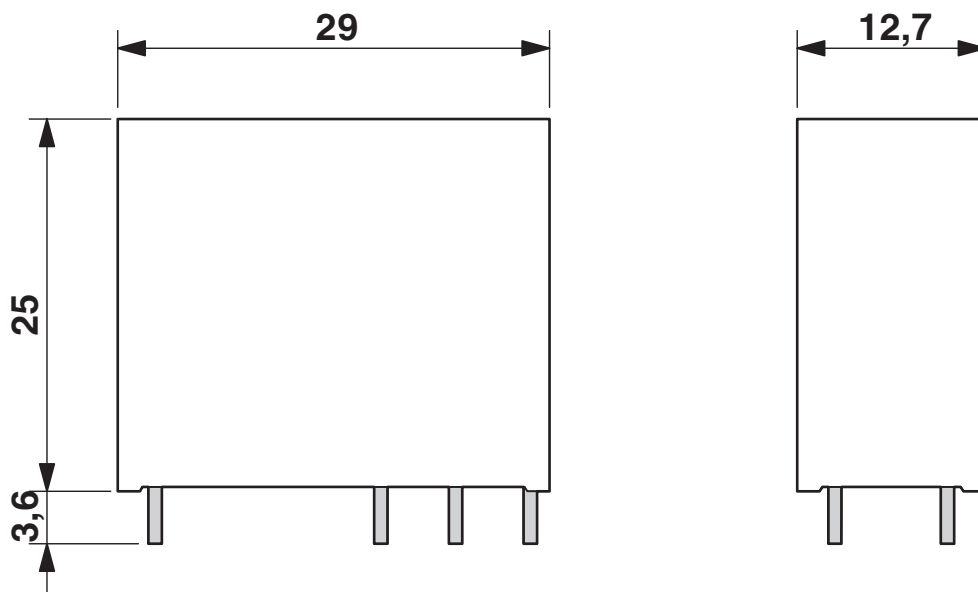
Interrupting rating



- ① DC coils, 0 A contact current
- ② DC coils, 8 A contact current
- ③ AC coils, 0 A contact current
- ④ AC coils, 8 A contact current

Operating voltage range

Dimensional drawing



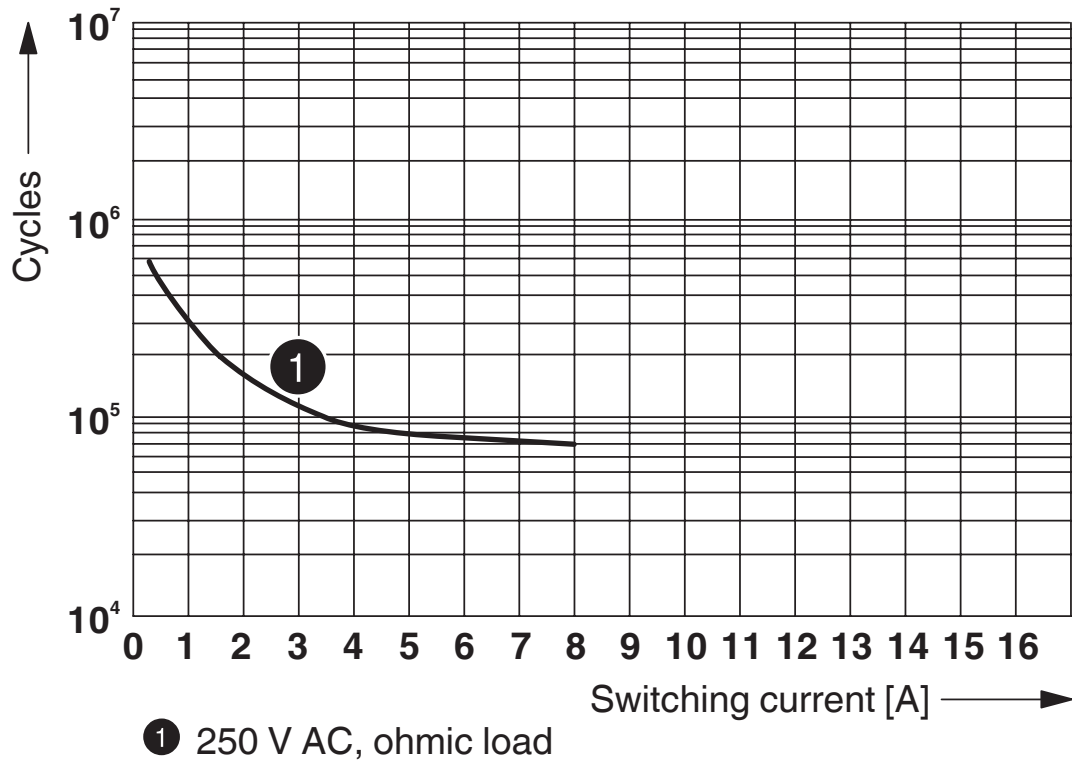
# REL-MR- 24AC/21-21/MS - Single relay



2987956

<https://www.phoenixcontact.com/gb/products/2987956>

Diagram



Electrical service life



2987956

<https://www.phoenixcontact.com/gb/products/2987956>

## Approvals

To download certificates, visit the product detail page: <https://www.phoenixcontact.com/gb/products/2987956>



**cUL Recognized**  
Approval ID: FILE E 195083



**UL Recognized**  
Approval ID: FILE E 195083



**EAC**  
Approval ID: TR\_TS\_D\_00573\_c



**EAC**  
Approval ID: RU\*C-DE.\*08.B.00010



**VDE Zeichengenehmigung**  
Approval ID: 40027210

**cULus Recognized**

# REL-MR- 24AC/21-21/MS - Single relay



2987956

<https://www.phoenixcontact.com/gb/products/2987956>

## Classifications

### ECLASS

ECLASS-11.0	27371601
ECLASS-12.0	27371601
ECLASS-13.0	27371601

### ETIM

ETIM 9.0	EC001437
----------	----------

### UNSPSC

UNSPSC 21.0	39122300
-------------	----------

# REL-MR- 24AC/21-21/MS - Single relay



2987956

<https://www.phoenixcontact.com/gb/products/2987956>

## Environmental product compliance

China RoHS	Environmentally friendly use period: unlimited = EFUP-e
	No hazardous substances above threshold values

# REL-MR- 24AC/21-21/MS - Single relay



2987956

<https://www.phoenixcontact.com/gb/products/2987956>

## Mandatory accessories

### RIF-1-BPT/2X21 - Relay base

2900931

<https://www.phoenixcontact.com/gb/products/2900931>



Relay base RIF-1..., for miniature power relay with 1 or 2 changeover contacts or solid-state relays of the same design, Push-in connection, plug-in option for input/interference suppression modules, for mounting on NS 35/7,5

### RIF-1-BSC/2X21 - Relay base

2900930

<https://www.phoenixcontact.com/gb/products/2900930>



RIF-1... relay base, for miniature power relay with 1 or 2 changeover contacts or identical solid-state relays, screw connection, plug-in option for input/interference suppression modules, for mounting on NS 35/7,5

Phoenix Contact 2024 © - all rights reserved

<https://www.phoenixcontact.com>

PHOENIX CONTACT Ltd

Halesfield 13, Telford

Shropshire, TF7 4PG

01952 681700

[info@phoenixcontact.co.uk](mailto:info@phoenixcontact.co.uk)