

OPT- 5DC/ 24DC/ 5 - Miniature solid-state relay



2982113

<https://www.phoenixcontact.com/gb/products/2982113>

Please be informed that the data shown in this PDF document is generated from our online catalog. Please find the complete data in the user documentation. Our general terms of use for downloads are valid.



Plug-in miniature solid-state relay, power solid-state relay, 1 N/O contact, input: 5 V DC, output: 3 - 33 V DC/5 A

Your advantages

- Vibration and shock resistant
- RT III-proof (wash-proof)
- Wear-free and durable
- Can be soldered on PCB
- Zero voltage switch at AC output
- Switching power of up to 24 V DC/5 A

Commercial data

Item number	2982113
Packing unit	10 pc
Minimum order quantity	10 pc
Sales key	CK61F2
Product key	CK61F2
Catalog page	Page 296 (C-5-2019)
GTIN	4017918989774
Weight per piece (including packing)	11.88 g
Weight per piece (excluding packing)	11.06 g
Customs tariff number	85364190
Country of origin	HU

OPT- 5DC/ 24DC/ 5 - Miniature solid-state relay



2982113

<https://www.phoenixcontact.com/gb/products/2982113>

Technical data

Product properties

Product type	Single solid-state relay
Operating mode	100% operating factor

Insulation characteristics

Insulation	Basic insulation
------------	------------------

Insulation characteristics: Standards/regulations

Insulation	Basic insulation
Overvoltage category	III
Pollution degree	2

Electrical properties

Maximum power dissipation for nominal condition	0.05 W
Test voltage (Input/output)	2.5 kV (50 Hz, 1 min., input/output)

Standards/regulations

Rated insulation voltage	100 V DC
--------------------------	----------

Input data

Nominal input voltage U_N	5 V DC
Input voltage range in reference to U_N	0.8 ... 1.2
Input voltage range	4 V DC ... 6 V DC
Switching threshold "0" signal, voltage	≤ 0.8 V
Switching threshold "1" signal voltage	≥ 2.5 V
Typical input current at U_N	9 mA
Typical response time	10 μ s
Typical turn-off time	400 μ s
Protective circuit	Reverse polarity protection; Polarity protection diode
Transmission frequency	300 Hz

Output data

Contact switching type	1 N/O contact
Design of digital output	electronic
Output nominal voltage	24 V DC
Output voltage range	3 V DC ... 33 V DC
Limiting continuous current	5 A (see derating curve)
Maximum inrush current	15 A (10 ms)
Surge voltage protection	> 33 V DC
Voltage drop at max. limiting continuous current	≤ 200 mV
Output circuit	2-conductor, floating
Protective circuit	Reverse polarity protection; Polarity protection diode Surge protection

OPT- 5DC/ 24DC/ 5 - Miniature solid-state relay



2982113

<https://www.phoenixcontact.com/gb/products/2982113>

Dimensions

Dimensional drawing	
Width	12.7 mm
Height	29 mm
Depth	15.7 mm

Material specifications

Color	black (RAL 9005)
Flammability rating according to UL 94	V0 (Housing)

Environmental and real-life conditions

Ambient conditions

Degree of protection	RT III
Ambient temperature (operation)	-25 °C ... 60 °C
Ambient temperature (storage/transport)	-25 °C ... 70 °C

Approvals

Corrosive gas test

Identification	ISA-S71.04. G3 Harsh Group EN 60068-2-60
----------------	---

Standards and regulations

Standards/regulations

Standards/regulations	IEC 60664 EN 50178
-----------------------	-----------------------

Mounting

Assembly instructions	in rows with zero spacing
Mounting position	any

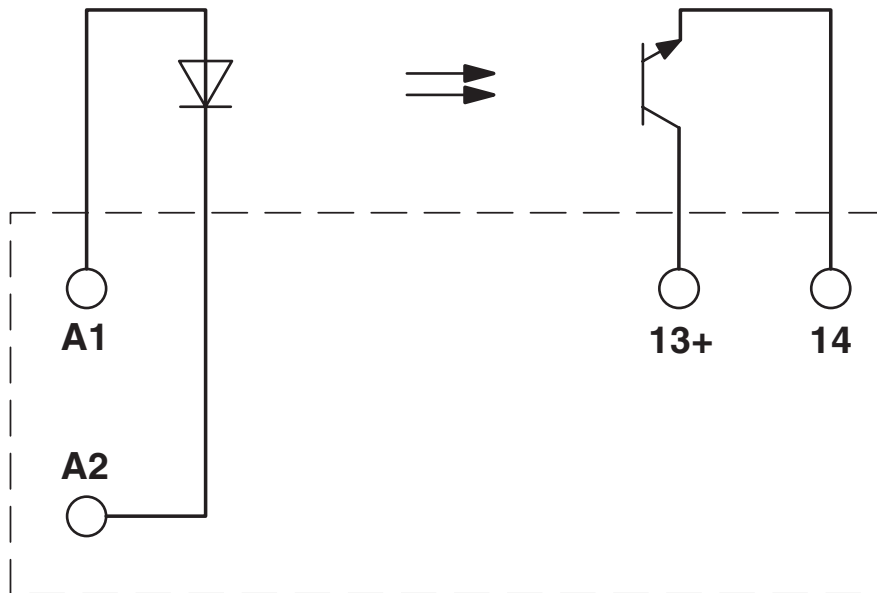
OPT- 5DC/ 24DC/ 5 - Miniature solid-state relay

2982113

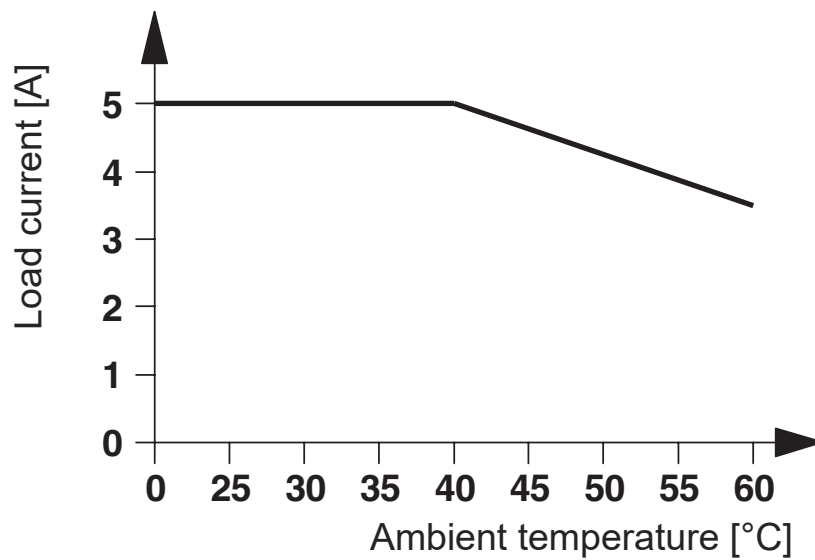
<https://www.phoenixcontact.com/gb/products/2982113>

Drawings

Circuit diagram



Diagram



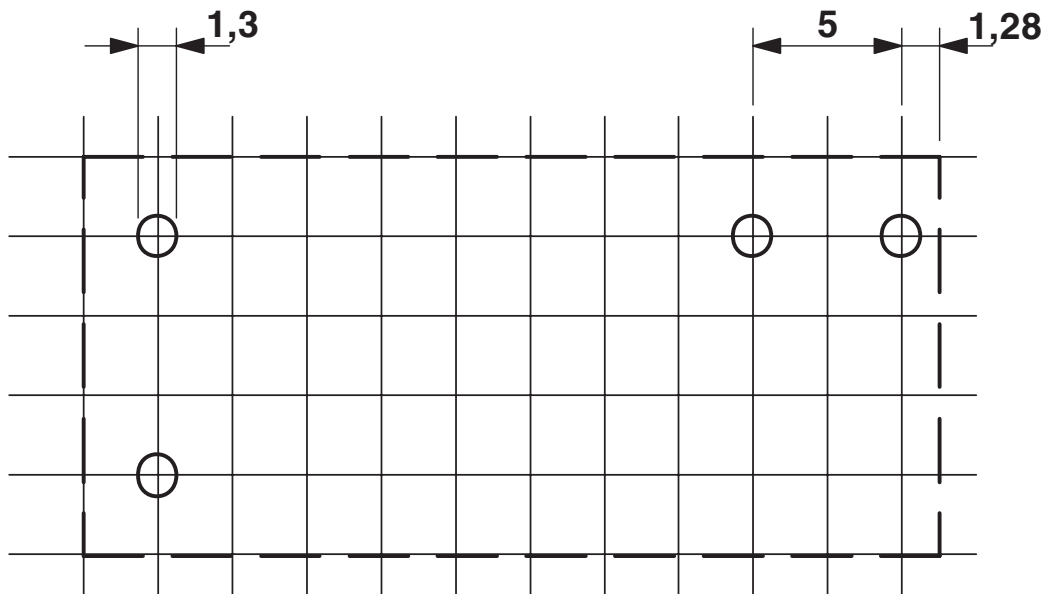
OPT- 5DC/ 24DC/ 5 - Miniature solid-state relay



2982113

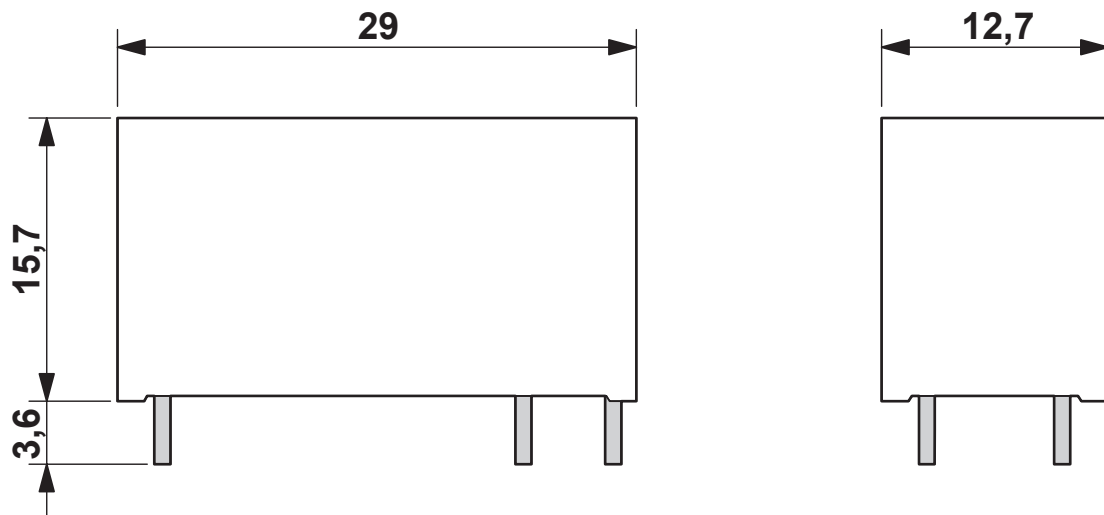
<https://www.phoenixcontact.com/gb/products/2982113>

Drilling plan/solder pad geometry



Basic pitch 2.5 mm

Dimensional drawing



OPT- 5DC/ 24DC/ 5 - Miniature solid-state relay



2982113

<https://www.phoenixcontact.com/gb/products/2982113>

Approvals

To download certificates, visit the product detail page: <https://www.phoenixcontact.com/gb/products/2982113>



cUL Recognized
Approval ID: FILE E 195083



UL Recognized
Approval ID: FILE E 195083



EAC
Approval ID: TR_TS_D_00573_c



UL Recognized
Approval ID: FILE E 195083



cUL Recognized
Approval ID: FILE E 195083

OPT- 5DC/ 24DC/ 5 - Miniature solid-state relay



2982113

<https://www.phoenixcontact.com/gb/products/2982113>

Classifications

ECLASS

ECLASS-11.0	27371604
ECLASS-12.0	27371604
ECLASS-13.0	27371604

ETIM

ETIM 9.0	EC001504
----------	----------

UNSPSC

UNSPSC 21.0	39122300
-------------	----------

OPT- 5DC/ 24DC/ 5 - Miniature solid-state relay



2982113

<https://www.phoenixcontact.com/gb/products/2982113>

Environmental product compliance

China RoHS	Environmentally friendly use period: unlimited = EFUP-e
	No hazardous substances above threshold values

OPT- 5DC/ 24DC/ 5 - Miniature solid-state relay



2982113

<https://www.phoenixcontact.com/gb/products/2982113>

Mandatory accessories

RIF-1-BPT/2X21 - Relay base

2900931

<https://www.phoenixcontact.com/gb/products/2900931>



Relay base RIF-1..., for miniature power relay with 1 or 2 changeover contacts or solid-state relays of the same design, Push-in connection, plug-in option for input/interference suppression modules, for mounting on NS 35/7,5

RIF-1-BSC/2X21 - Relay base

2900930

<https://www.phoenixcontact.com/gb/products/2900930>



RIF-1... relay base, for miniature power relay with 1 or 2 changeover contacts or identical solid-state relays, screw connection, plug-in option for input/interference suppression modules, for mounting on NS 35/7,5

Phoenix Contact 2024 © - all rights reserved

<https://www.phoenixcontact.com>

PHOENIX CONTACT Ltd

Halesfield 13, Telford

Shropshire, TF7 4PG

01952 681700

info@phoenixcontact.co.uk