

IN850420

INDUCTIVE SENSORS • NORM SWITCHING DISTANCE

sensor inductive, Ø200mm 60long, Non-flush, Sn: 140, 10-55V DC, PNP Anticoincidence, Connector M12 4pin, IP67, Aluminum / PTB



MECHANICAL FEATURES

Active area material of sensor	PBT
Alignment of cable entry	Axial
Ambient temperature	-25 °C ... 75 °C
Cable infeed	Axial
Degree of protection (IP)	IP67
Design	Cylinder plain
Housing material	Aluminum / PTB
Mechanical mounting condition for sensor	Non-flush
Pressure-proof	-
Sensor diameter	200 mm
Sensor length	60 mm

ELECTRICAL FEATURES

Cascadable	-
Correction factor (aluminum)	0.4
Correction factor (brass)	0.4
Correction factor (copper)	0.3
Correction factor (St37)	1
Correction factor (stainl. steel)	0.7
No-load current	4 mA
Number of pins	4
Rated switching current	400 mA
Reverse polarity protection	+
Short-circuit protection	+
Suitable for safety functions	-
Supply voltage	10 V ... 55 V
Switching distance	140 mm
Switching frequency	20 Hz
Type of electrical connection	Connector M12
Type of switching function	Anticoincidence
Type of switching output	PNP
Voltage drop	2 V
Voltage type	DC

ELECTRICAL FEATURES

With LED display	+
With monitoring function of downstream devices	-

OTHER FEATURES

Areas inquiry	+
---------------	---

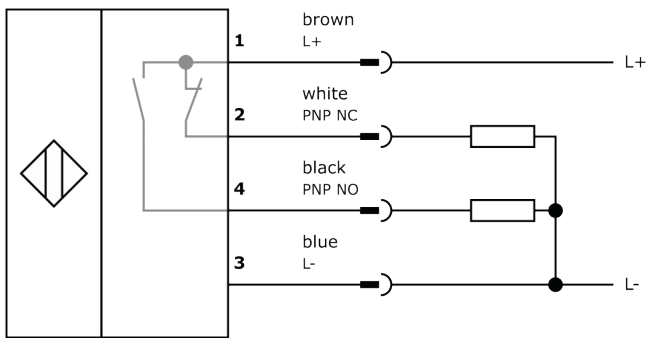
Other

Packaging dimensions	230mm x 80mm x 250mm
Shipping weight	3.35kg
Tariff code	85365019

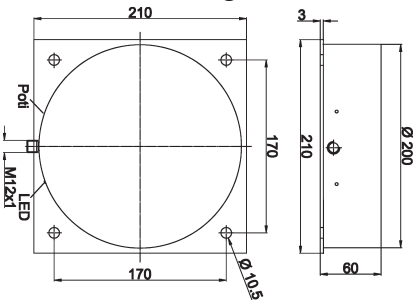
Classification

ipf product group	203
eClass 8.0	27270101
eClass 9.0	27270101
eClass 9.1	27270101
ETIM-5.0	EC002714
ETIM-6.0	EC002714
ETIM-7.0	EC002714

Connection



Dimensional drawing



Installation



Mounting / installation may only be carried out by a qualified electrician!

Disposal



Safety warnings

Before initial operation, please make sure to follow all safety instructions that may be provided in the product information.

Never use these devices in applications where the safety of a person depends on their functionality.

LED lighting systems can generate intensive UV radiation, which can damage your eyes in case of improper use. The manufacturer cannot be held responsible for damages that result from improper use or connection.