

High-current probe

HSS-120 302 230 A 2202 M

Item HSS-120-0137



ingun[®]

Partner for Future Technology

- Trusted high-current probes, optimally sized for current load capacity ratio

General data

Product group	High-current test probe
Sub-product group	Standard HSS (screw-in)
Series	HSS-120 M screw-in
Grid	4 mm [157 mil]
Contacting from	Pin, post, bead probe, flat contact
Magnetic	Yes
Installation type	Screw-in
Quick-exchange system	Yes
Adjustable installation height	No
Non-rotating	No
Screw-in torque	10 - 20 cNm [.885 - 1.77 lbf-in]
Compatible receptacle(s)	KS-113 M
Min. temperature	- 100 °C [- 212 °F]
Max. temperature	+ 200 °C [+ 392 °F]
RoHS-compliant	RoHS-3;6c

Electrical data

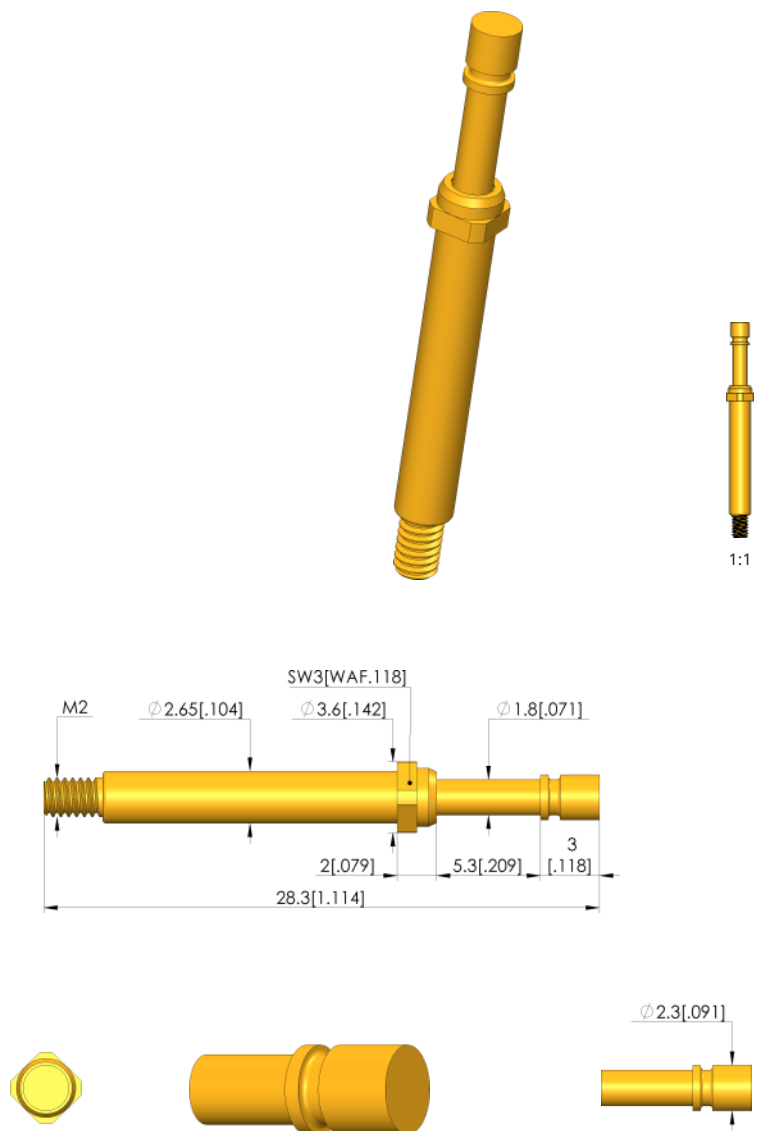
Current load capacity / rated current	30 A
Typical resistance (Ri)	<10 mOhm

Mechanical data

Total length	28.3 mm [1.11 in]
Barrel diameter	2.65 mm [.104 in]
Maximum stroke	5.3 mm [.208 in]
Spring pre-load	0.58 N [2.08 ozf]
Collar height	02
Spring force at working stroke	2.25 N [8.09 ozf]
Recommended working stroke	4 mm [.157 in]

Tip style data

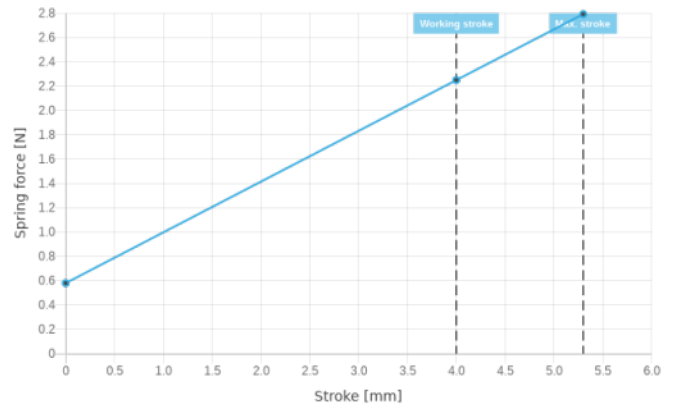
Tip style	02 flat
Tip diameter	2.3 mm [.090 in]
Tip style surface	A gold
Tip style material	3 CuBe



High-current probe
HSS-120 302 230 A 2202 M
Item HSS-120-0137



ingun[®]
Partner for Future Technology



INGUN Prüfmittelbau GmbH

Max-Stromeyer-Straße 162
78467, Constance, Germany
Phone +49 7531 8105-0
Customer hotline +49 7531 8105-888
Fax +49 7531 8105-65
info@ingun.com



Prices and delivery times on request.
Technical changes reserved. 11/23 EN

Learn more about
Screw-in test probe



SCREW-IN TEST PROBE