

# Radio-frequency probe

## HFS-840 303 090 A 8043 Y6

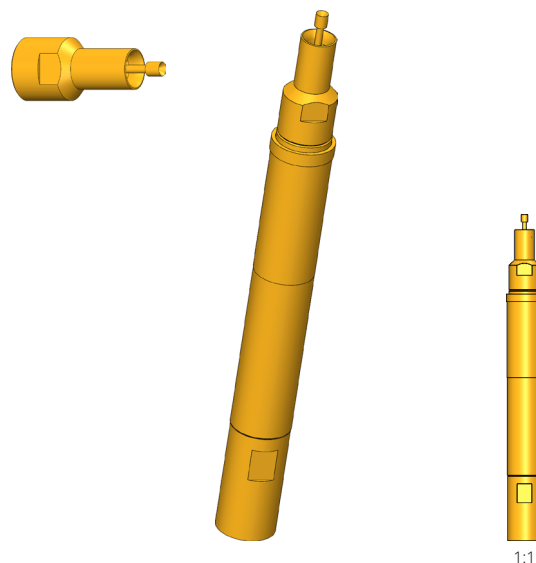
Item HFS-840-0371



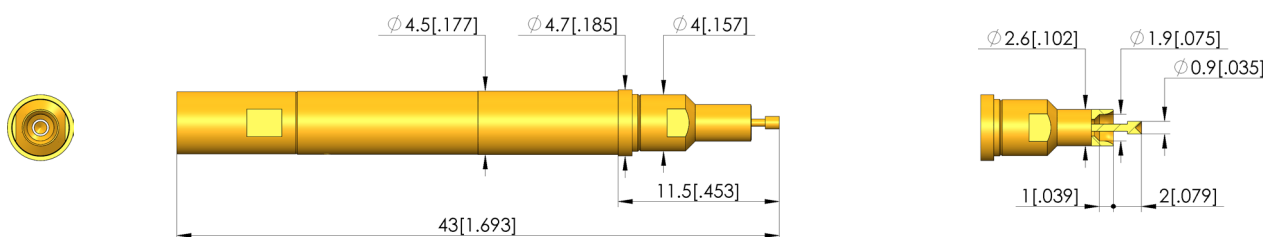
**ingun**<sup>®</sup>

Partner for Future Technology

- Long standard series
- Up to 4 GHz
- Cable interface MCX
- Plug-in version
- Receptacles: KS-810, KS-810 R, KS-810 F



1:1



### General data

|  |                                 |
|--|---------------------------------|
| Product group:                         | HFS radio-frequency test probes |
| Series:                                | HFS-840                         |
| Sub-series:                            | HFS-840                         |
| Grid:                                  | 5.8 mm [228 mil]                |
| DUT / contact:                         | U.FL, AMC, Sunridge MCB         |
| Installation type:                     | Plug-in                         |
| DUT interface gender :                 | M signal conductor male / pin   |
| Floating mount:                        | No                              |
| Non-rotating:                          | Yes                             |
| Continuous plunger:                    | Yes                             |
| Interface of compatible assembly:      | MCX 50 Ohm                      |
| Compatible assembly interface gender : | M signal conductor male / pin   |
| KS sub-series:                         | KS-810, press-in version        |
| Min. temperature:                      | - 40 °C [- 104 °F]              |
| Max. temperature:                      | + 80 °C [+ 176 °F]              |
| RoHS-compliant:                        | RoHS-3;6c                       |

### Outer conductor data

|   |   |
|---|---|
| Outer conductor tip style:                                | 43 centring for outer side of connector |
| Outer conductor tip style diameter:                       | 2.6 mm [.102 in]                        |
| Spring force of entire outer conductor at working stroke: | 6 N [21.5 ozf]                          |
| Outer conductor working stroke:                           | 4 mm [.157 in]                          |
| Outer conductor maximum stroke:                           | 5 mm [.196 in]                          |
| Exchangeable outer conductor:                             | KO-810343260A-Y6                        |
| Outer conductor max. current load capacity:               | 10 A                                    |

### Inner conductor data

|   |                  |
|---|------------------|
| Inner conductor tip style:                              | 03 inverse cone  |
| Inner conductor tip style diameter:                     | 0.9 mm [.035 in] |
| Inner conductor tip style material:                     | 3 CuBe           |
| Inner conductor tip style surface:                      | A gold           |
| Number of inner conductors:                             | 1                |
| Exchangeable inner conductor:                           | GKS-051-0065     |
| Inner conductor working stroke:                         | 2 mm [.078 in]   |
| Spring force of each inner conductor at working stroke: | 2 N [7.19 ozf]   |
| Inner conductor maximum stroke:                         | 3.7 mm [.145 in] |
| Inner conductor max. current load capacity:             | 3 A              |

RADIO-FREQUENCY TEST PROBES

# Radio-frequency probe

## HFS-840 303 090 A 8043 Y6

Item HFS-840-0371



**ingun**<sup>®</sup>

Partner for Future Technology

### Electrical data

Frequency range up to:  
Impedance:

4 GHz  
50 Ohm

### Mechanical data

|   |                   |
|---|-------------------|
| Total spring force at working stroke:   | 8 N [28.7 ozf]    |
| Total length:                           | 43 mm [1.69 in]   |
| Barrel diameter:                        | 4.5 mm [.177 in]  |
| Installation height without receptacle: | 11.5 mm [.452 in] |

### INGUN Prüfmittelbau GmbH

Max-Stromeyer-Straße 162  
78467, Constance, Germany  
Phone +49 7531 8105-0  
Customer hotline +49 7531 8105-888  
Fax +49 7531 8105-65  
info@ingun.com



Prices and delivery times on request.  
Technical changes reserved. 04/24\_GB

Learn more about  
Radio-frequency test probes



ingun.com