

Radio-frequency probe

HFS-840 204 051 A 8802 V1-AS3

Item HFS-840-0062

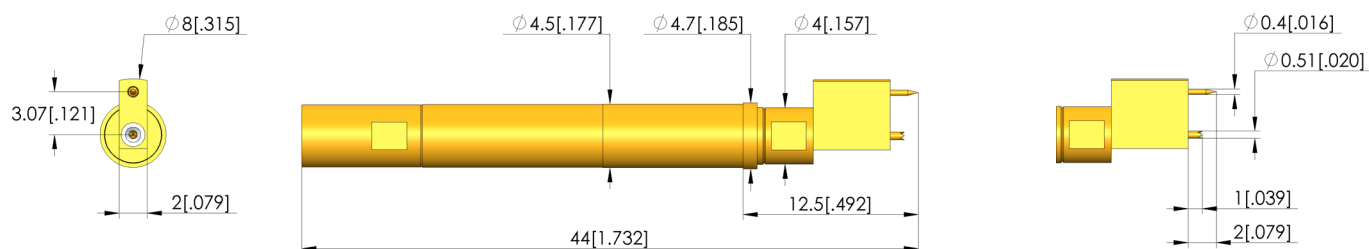
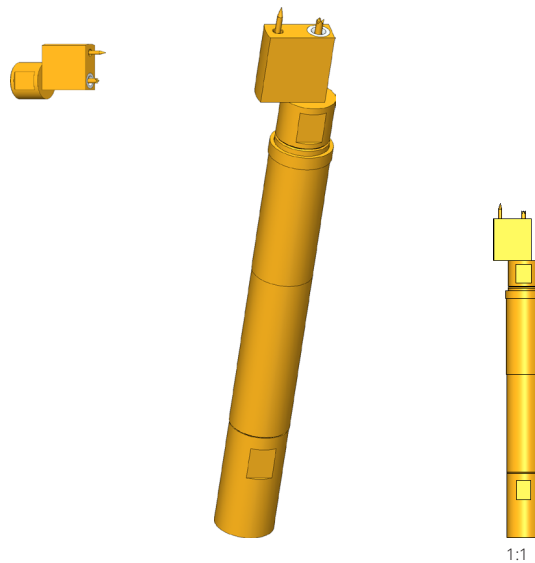


GO TO PRODUCT

ingun[®]

Partner for Future Technology

- Long standard series
- Up to 4 GHz
- Cable interface MCX
- Plug-in version
- Receptacles: KS-810, KS-810 R, KS-810 F



General data

Product group:	HFS radio-frequency test probes
Series:	HFS-840
Sub-series:	HFS-840
Grid:	5.8 mm [228 mil]
DUT / contact:	PCB pad SG
Installation type:	Plug-in
Floating mount:	No
Non-rotating:	Yes
Continuous plunger:	Yes
Interface of compatible assembly:	MCX 50 Ohm
Compatible assembly interface gender :	M signal conductor male / pin
KS sub-series:	KS-810, press-in version
Min. temperature:	- 40 °C [- 104 °F]
Max. temperature:	+ 80 °C [+ 176 °F]
RoHS-compliant:	RoHS-3;6a;6c

Outer conductor data

Outer conductor tip style:	01 30° needle tip, self-cleaning
Outer conductor tip style diameter:	8 mm [.314 in]
Spring force of entire outer conductor at working stroke:	8.8 N [31.6 ozf]
Outer conductor working stroke:	4.5 mm [.177 in]
Outer conductor maximum stroke:	5.5 mm [.216 in]
Exchangeable outer conductor:	KO-810-0090
Outer conductor max. current load capacity:	2 A

Inner conductor data

Inner conductor tip style:	04 4-point crown
Inner conductor tip style diameter:	0.51 mm [.020 in]
Inner conductor tip style material:	2 steel
Inner conductor tip style surface:	A gold
Number of inner conductors:	1
Exchangeable inner conductor:	UKS-051204051A
Inner conductor working stroke:	0 mm [0 in]
Spring force of each inner conductor at working stroke:	0 N [0 ozf]
Inner conductor maximum stroke:	0 mm [0 in]
Inner conductor max. current load capacity:	2 A

RADIO-FREQUENCY TEST PROBES

Radio-frequency probe

HFS-840 204 051 A 8802 V1-AS3

Item HFS-840-0062



GO TO PRODUCT

ingun[®]

Partner for Future Technology

Electrical data

Frequency range up to:

Impedance:

4 GHz

50 Ohm

Mechanical data

Total spring force at working stroke:

Total length:

Barrel diameter:

Installation height without receptacle:

8.8 N [31.6 ozf]

44 mm [1.73 in]

4.5 mm [.177 in]

12.5 mm [.492 in]

INGUN Prüfmittelbau GmbH

Max-Stromeyer-Straße 162

78467, Constance, Germany

Phone +49 7531 8105-0

Customer hotline +49 7531 8105-888

Fax +49 7531 8105-65

info@ingun.com



Prices and delivery times on request.
Technical changes reserved. 04/24_GB

Learn more about
Radio-frequency test probes



ingun.com