

Radio-frequency probe

HFS-810 303 150 A 9942 F M

Item HFS-810-0674

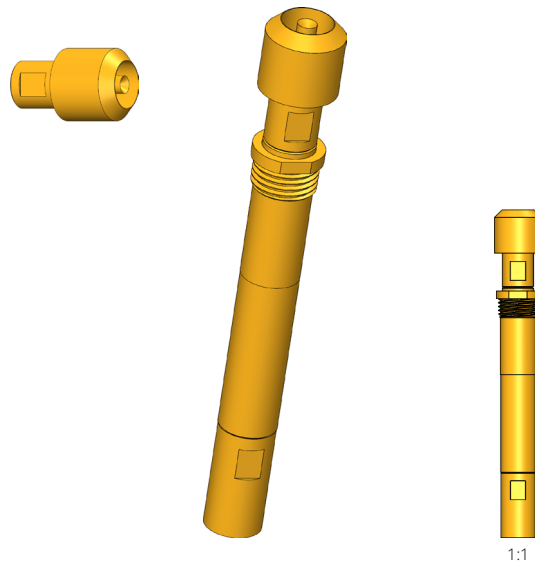


GO TO PRODUCT

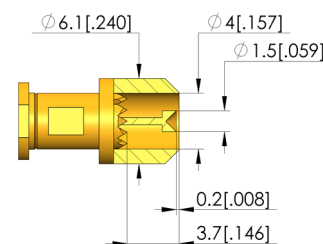
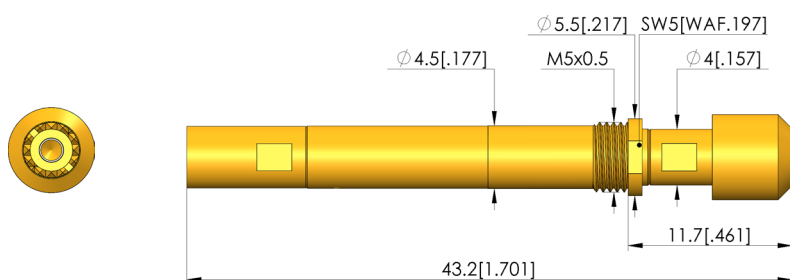
ingun[®]

Partner for Future Technology

- Long standard series
- Up to 2 GHz
- Cable interface MCX
- Screw-in version
- Receptacles: KS-810 M5-R, KS-810 M5-F



1:1



General data

| | |
|--|---------------------------------|
| Product group: | HFS radio-frequency test probes |
| Series: | HFS-810 |
| Sub-series: | HFS-810 M screw-in |
| Grid: | 6.6 mm [259 mil] |
| DUT / contact: | FAKRA |
| Installation type: | Screw-in |
| DUT interface gender : | M signal conductor male / pin |
| Floating mount: | No |
| Non-rotating: | Yes |
| Continuous plunger: | Yes |
| Interface of compatible assembly: | MCX 50 Ohm |
| Compatible assembly interface gender : | M signal conductor male / pin |
| KS sub-series: | KS-810 M, screw-in version |
| Min. temperature: | - 40 °C [- 104 °F] |
| Max. temperature: | + 80 °C [+ 176 °F] |
| RoHS-compliant: | RoHS-3;6c |

Outer conductor data

| | |
|---|--|
| Outer conductor tip style: | 42 centring for inner side of plug connector |
| Outer conductor tip style diameter: | 6.1 mm [.240 in] |
| Spring force of entire outer conductor at working stroke: | 8 N [28.7 ozf] |
| Outer conductor working stroke: | 4 mm [.157 in] |
| Outer conductor maximum stroke: | 5 mm [.196 in] |
| Exchangeable outer conductor: | KO-810342610A-F |
| Outer conductor max. current load capacity: | 10 A |

Inner conductor data

| | |
|---|------------------|
| Inner conductor tip style: | 03 inverse cone |
| Inner conductor tip style diameter: | 1.5 mm [.059 in] |
| Inner conductor tip style material: | 3 CuBe |
| Inner conductor tip style surface: | A gold |
| Number of inner conductors: | 1 |
| Exchangeable inner conductor: | GKS-051-0010 |
| Inner conductor working stroke: | 2 mm [.078 in] |
| Spring force of each inner conductor at working stroke: | 2 N [7.19 ozf] |
| Inner conductor maximum stroke: | 3.7 mm [.145 in] |
| Inner conductor max. current load capacity: | 3 A |

RADIO-FREQUENCY TEST PROBES

Radio-frequency probe HFS-810 303 150 A 9942 F M

Item HFS-810-0674



GO TO PRODUCT

ingun[®]

Partner for Future Technology

Electrical data

Frequency range up to:
Impedance:

2 GHz
50 Ohm

Mechanical data

| | |
|---|----------------------------------|
| Total spring force at working stroke: | 10 N [35.9 ozf] |
| Total length: | 43.2 mm [1.70 in] |
| Barrel diameter: | 4.5 mm [.177 in] |
| Installation height without receptacle: | 11.7 mm [.460 in] |
| Torque in receptacle: | 10 - 20 cNm [.885 - 1.77 lbf·in] |

INGUN Prüfmittelbau GmbH

Max-Stromeyer-Straße 162
78467, Constance, Germany
Phone +49 7531 8105-0
Customer hotline +49 7531 8105-888
Fax +49 7531 8105-65
info@ingun.com



Prices and delivery times on request.
Technical changes reserved. 04/24_GB

Learn more about
Radio-frequency test probes



ingun.com