

# Radio-frequency probe

## HFS-810 303 150 A 5302 D

Item HFS-810-0015

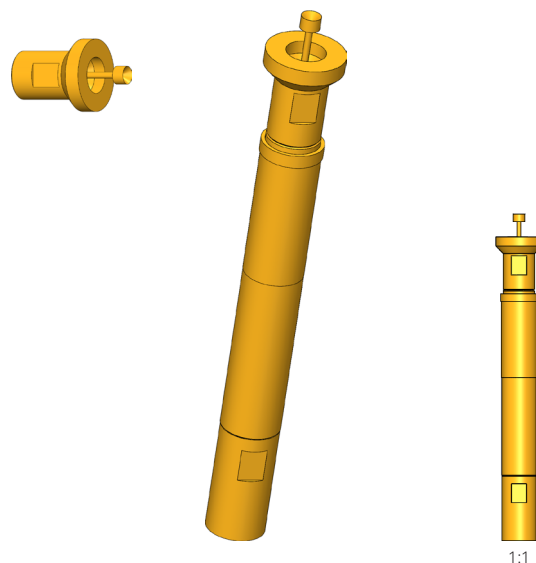


GO TO PRODUCT

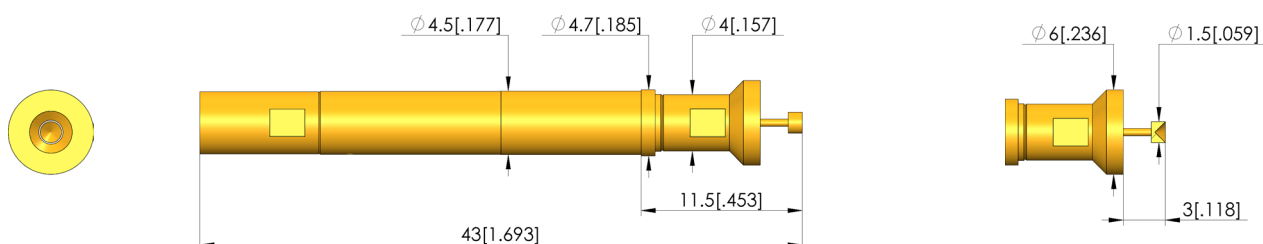
**ingun**<sup>®</sup>

Partner for Future Technology

- Long standard series
- Up to 2 GHz
- Cable interface MCX
- Plug-in version
- Receptacles: KS-810, KS-810 R, KS-810 F



1:1



### General data

Product group:	HFS radio-frequency test probes
Series:	HFS-810
Sub-series:	HFS-810
Grid:	6.5 mm [255 mil]
DUT / contact:	BMA
Installation type:	Plug-in
DUT interface gender :	M signal conductor male / pin
Floating mount:	No
Non-rotating:	Yes
Continuous plunger:	Yes
Interface of compatible assembly:	MCX 50 Ohm
Compatible assembly interface gender :	M signal conductor male / pin
KS sub-series:	KS-810, press-in version
Min. temperature:	- 40 °C [- 104 °F]
Max. temperature:	+ 80 °C [+ 176 °F]
RoHS-compliant:	RoHS-3;6c

### Outer conductor data

Outer conductor tip style:	02 flat
Outer conductor tip style diameter:	6 mm [.236 in]
Spring force of entire outer conductor at working stroke:	4 N [14.3 ozf]
Outer conductor working stroke:	4 mm [.157 in]
Outer conductor maximum stroke:	5 mm [.196 in]
Exchangeable outer conductor:	KO-810142600A
Outer conductor max. current load capacity:	10 A

### Inner conductor data

Inner conductor tip style:	03 inverse cone
Inner conductor tip style diameter:	1.5 mm [.059 in]
Inner conductor tip style material:	3 CuBe
Inner conductor tip style surface:	A gold
Number of inner conductors:	1
Exchangeable inner conductor:	GKS-051-0011
Inner conductor working stroke:	2 mm [.078 in]
Spring force of each inner conductor at working stroke:	1.3 N [4.67 ozf]
Inner conductor maximum stroke:	3.7 mm [.145 in]
Inner conductor max. current load capacity:	3 A

RADIO-FREQUENCY TEST PROBES

# Radio-frequency probe HFS-810 303 150 A 5302 D

Item HFS-810-0015



GO TO PRODUCT

**ingun**<sup>®</sup>

Partner for Future Technology

## Electrical data

Frequency range up to:  
Impedance:

2 GHz  
50 Ohm

## Mechanical data

Total spring force at working stroke:  
Total length:  
Barrel diameter:  
Installation height without receptacle:

5.3 N [19.0 ozf]  
43 mm [1.69 in]  
4.5 mm [.177 in]  
11.5 mm [.452 in]

## INGUN Prüfmittelbau GmbH

Max-Stromeyer-Straße 162  
78467, Constance, Germany  
Phone +49 7531 8105-0  
Customer hotline +49 7531 8105-888  
Fax +49 7531 8105-65  
info@ingun.com



Prices and delivery times on request.  
Technical changes reserved. 04/24\_GB

Learn more about  
Radio-frequency test probes



ingun.com