

High-current multi-head HCM-667-0000 C02-00000-00

Item HCM-667-0002



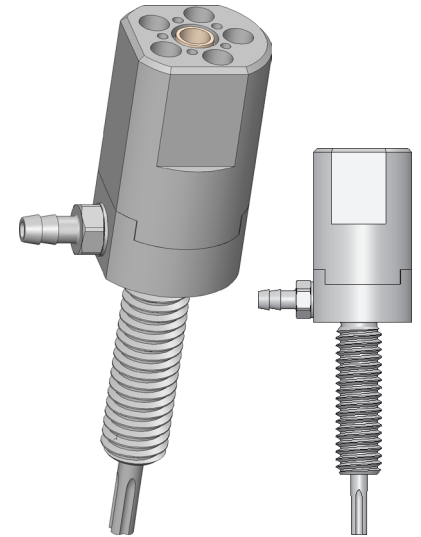
GO TO PRODUCT

ingun®

Partner for Future Technology

- Reliable contact of battery cells
- Modular design enables scalability of current transmission using well-established INGUN products
- Increase in maximum current transmission thanks to cooling feature
- Optional cooling of contact surface using GKS-667
- Voltage monitoring via a central sense contact probe possible
- Temperature measurement of contact surface using TKS-667 is an optional addition
- Easy installation in plate or busbar via the threaded connection

NEW



Application

The HCMs were specially developed for the flexible scalability of high-current contacting. The modular design makes it possible to adapt the product characteristics to the application, and therefore always provide the right product for a high variable range of DUTs, as is the case with the contacting of battery cells.

Construction

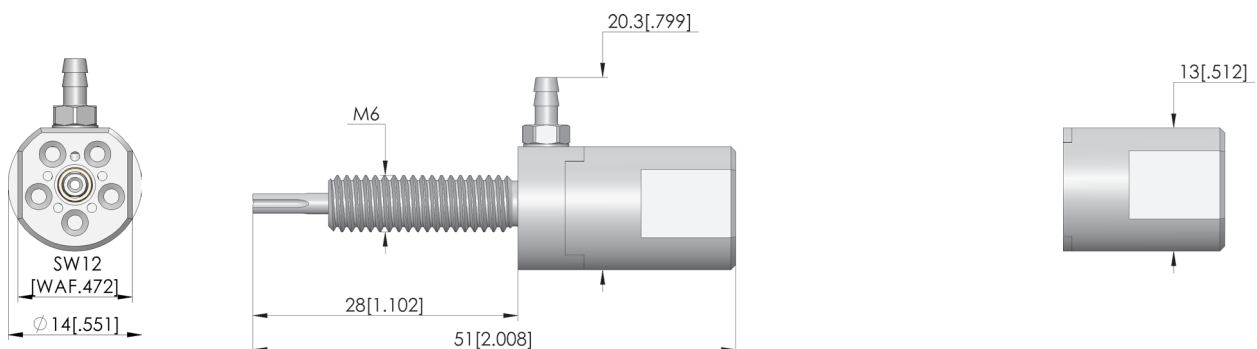
The HCMs each consist of a base body and several high-current test probes which create a parallel circuit. The functionality can be additionally extended using a centrally positioned sense contact probe or temperature measurement probe with integrated sense tap. Optional air-cooling probes, as an alternative to the current-transmitting test probes, are also available.

Installation

The HCMs can be installed in a corresponding hole on a probe plate using lock nuts or installed directly in a busbar via a corresponding threaded hole. If the HCM is installed in a non-conductive plate, for example, the current connection can be made at the threaded bolt via a cable lug. The optional sense contact probe, to be connected to the soldering recess provided, and the temperature sensor are dissipated centrally.

Note:

The base bodies are designed for either five or eight current-transmitting test probes from the HSS-120 and HSS-667 series with various tip styles, which can be freely configured in terms of both quantity and layout. By combining the modular high-current multi-head solution with HSS-667 probes, which were specifically developed for contacting battery cells with oxidised contact surfaces, it is possible to greatly reduce the power losses that occur during cell production.



HIGH-CURRENT TEST PROBE

High-current multi-head HCM-667-0000 C02-00000-00

Item HCM-667-0002



GO TO PRODUCT

ingun[®]

Partner for Future Technology

General data

Product group:	High-current test probe
Sub-product group:	Standard HSS (screw-in)
Series:	HCM-667 M screw-in
Grid:	15 mm [590 mil]
Contacting from:	Pad, Female connector
Magnetic:	Yes
Installation type:	Screw-in
Quick-exchange system:	No
Type of test probe connection:	Thread connection
Adjustable installation height:	No
Non-rotating:	Yes
Continuous plunger:	M 14 x 1,5 x 32
Screw-in torque:	60 cNm [5.31 lbf·in]
Min. temperature:	- 100 °C [- 212 °F]
Max. temperature:	+ 200 °C [+ 392 °F]
RoHS-compliant:	RoHS-3;6c

Electrical data

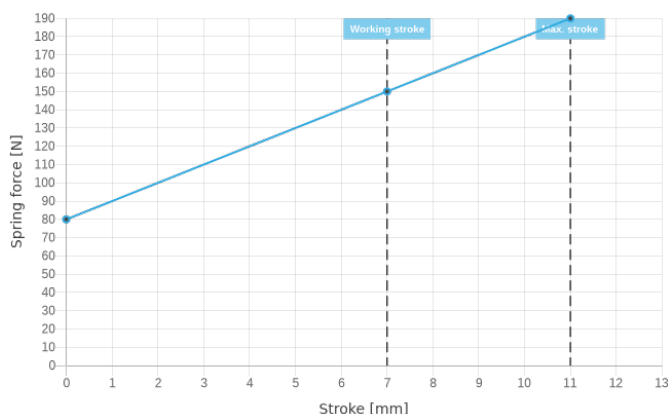
Current rating, connection on plunger:	400 A
Typical resistance (Ri), connection on plunger:	<1 mOhm

Mechanical data

Total length:	51 mm [2.00 in]
Barrel diameter:	14 mm [.551 in]
Maximum stroke:	11 mm [.433 in]
Spring pre-load:	80 N [287 ozf]
Collar height:	40
Spring force at working stroke:	150 N [539 ozf]
Recommended working stroke:	7 mm [.275 in]

Tip style data

Tip style:	05 bullet-nosed (full radius)
Tip diameter:	25 mm [.984 in]
Tip style surface:	S silver
Tip style material:	8 silver



INGUN Prüfmittelbau GmbH

Max-Stromeyer-Straße 162
78467, Constance, Germany
Phone +49 7531 8105-0
Customer hotline +49 7531 8105-888
Fax +49 7531 8105-65
info@ingun.com



Prices and delivery times on request.
Technical changes reserved. 04/24_GB

Learn more about
High-current test probe



HIGH-CURRENT TEST PROBE

ingun.com