

# Spring-loaded test probe

## GKS-967 306 130 A 2001 MC

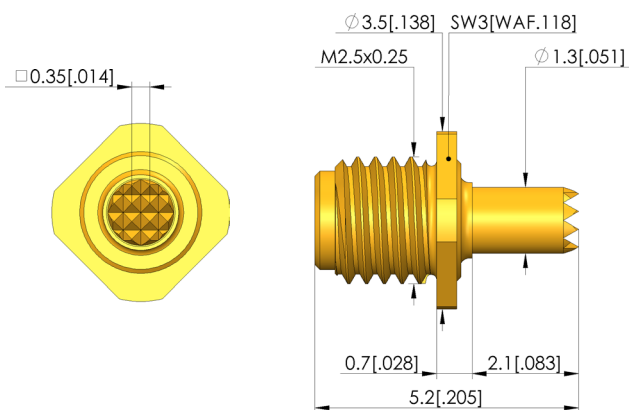
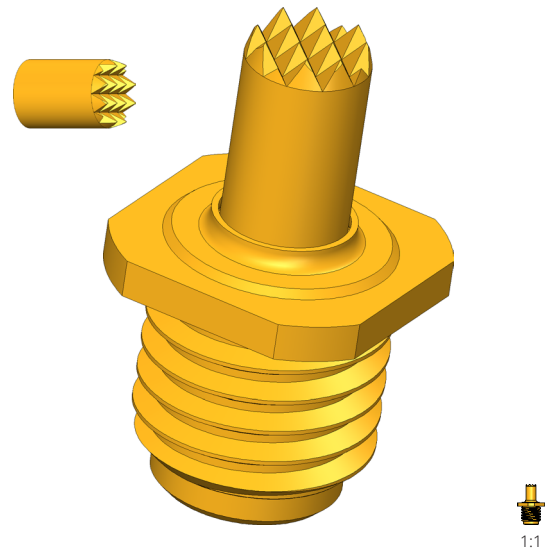
Item GKS-967-0214



**ingun**<sup>®</sup>

Partner for Future Technology

- Short-stroke probes ensure a reliable signal and power supply, as well as a quick exchange of assemblies in case of maintenance
- For the construction of easily separable electronic interfaces, such as in charging trays for electronic devices
- Compensation of possible height and component tolerances
- Secure hold in the receptacle due to threaded connection
- Stainless steel versions for temperatures from -100 °C up to +200 °C available



### General data

|                                 |  |
|---------------------------------|--|
| Product group:                  | Screw-in test probe                        |
| Sub-product group:              | Short stroke GKS / charge and transfer GKS |
| Series:                         | GKS-967 M screw-in                         |
| Grid:                           | 4 mm [157 mil]                             |
| Contacting from:                | Pin, Post, Flat contact                    |
| Magnetic:                       | Yes  |
| Installation type:              | Screw-in                                   |
| Quick-exchange system:          | Yes  |
| Adjustable installation height: | No   |
| Non-rotating:                   | No   |
| Screw-in torque:                | 3 - 5 cNm [.265 - .442 lbf-in]             |
| Compatible receptacle(s):       | KS-967 M                                   |
| Min. temperature:               | - 100 °C [- 212 °F]                        |
| Max. temperature:               | + 200 °C [+ 392 °F]                        |
| RoHS-compliant:                 | RoHS-3;6c                                  |

### Electrical data

|  |           |
|--|-----------|
| Current load capacity / rated current: | 8 A       |
| Typical resistance (Ri):               | <100 mOhm |

### Mechanical data

|                                 |                   |
|---------------------------------|-------------------|
| Total length:                   | 5.2 mm [.204 in]  |
| Barrel diameter:                | 2.5 mm [.098 in]  |
| Maximum stroke:                 | 1.2 mm [.047 in]  |
| Spring pre-load:                | 0.57 N [2.05 ozf] |
| Collar height:                  | 01                |
| Spring force at working stroke: | 2 N [7.19 ozf]    |
| Recommended working stroke:     | 1 mm [.039 in]    |

### Tip style data

|                     |                  |
|---------------------|------------------|
| Tip style:          | 06 serrated      |
| Tip diameter:       | 1.3 mm [.051 in] |
| Tip style surface:  | A gold           |
| Tip style material: | 3 CuBe           |

SCREW-IN TEST PROBE

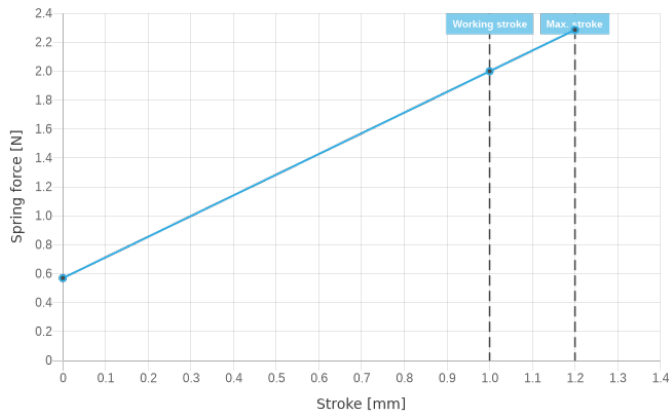
# Spring-loaded test probe GKS-967 306 130 A 2001 MC

Item GKS-967-0214



**ingun**<sup>®</sup>

Partner for Future Technology



## INGUN Prüfmittelbau GmbH

Max-Stromeyer-Straße 162  
78467, Constance, Germany  
Phone +49 7531 8105-0  
Customer hotline +49 7531 8105-888  
Fax +49 7531 8105-65  
info@ingun.com



Prices and delivery times on request.  
Technical changes reserved. 04/24\_GB

Learn more about  
Screw-in test probe



SCREW-IN TEST PROBE

ingun.com