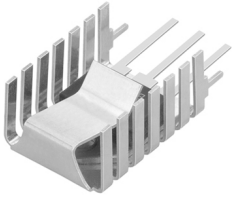


## Data sheet Product FK 243 MI 247 V

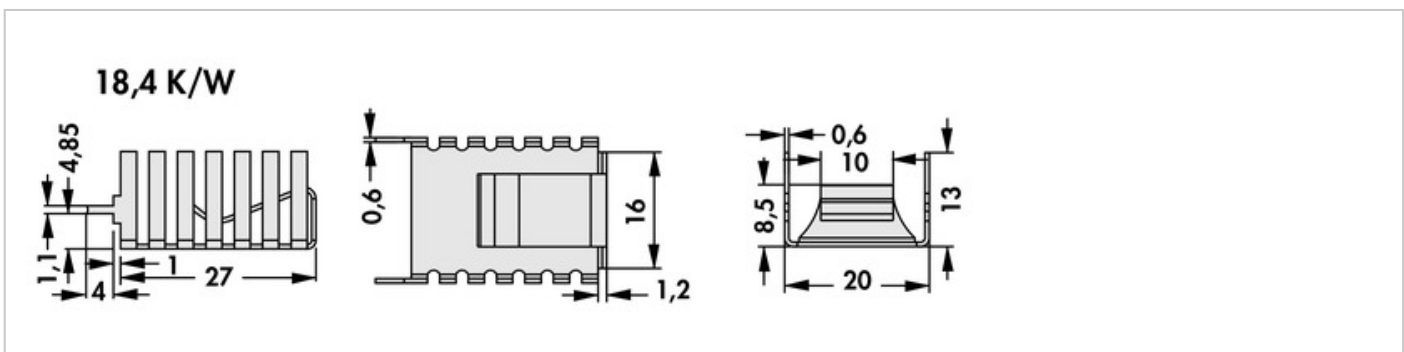


Board Level heatsinks>Attachable heatsink  
vertical mounting, for semiconductor-design TO 218, TO 220, TO 247

### Features

material:	copper (Cu)
for transistor:	<ul style="list-style-type: none"> <li>• TO 220</li> <li>• TO 248</li> <li>• SIP-Multiwatt</li> <li>• TO 247</li> <li>• TO 218</li> </ul>
width:	20 mm
height:	13 mm
length:	32 mm
thermal resistance:	18.4 K/W
surface:	solderable surface
version:	with solder lug for vertical installation
material thickness:	0.6 mm

### Technical Drawing



Fischer Elektronik GmbH & Co. KG  
DEUTSCHLAND • GERMANY • ALLEMAGNE

Nottebohmstraße 28  
58511 Lüdenscheid

Telefon +49 2351 435-0  
Telefax +49 2351 45754

info@fischerelektronik.de  
www.fischerelektronik.de