

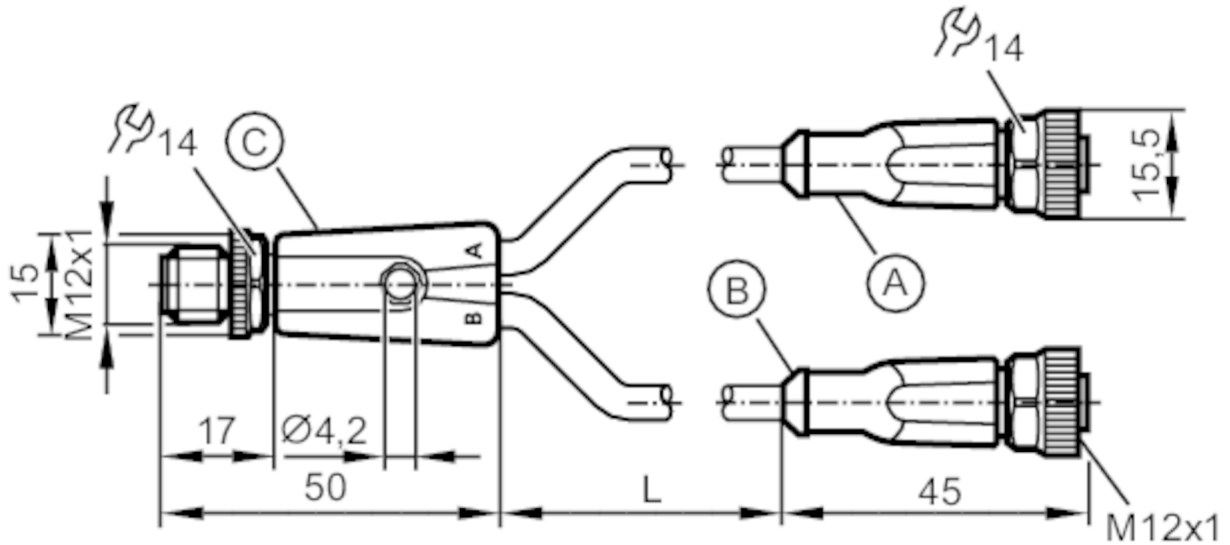
# EVC614



## Y connection cable

YDOGH050MSS00,3H05STGH050MSS

Please see the technical note under "Downloads"



| Application   |  |
|---|--|
| Special feature   | Free from silicone; Halogen-free; Gold-plated contacts; Drag chain suitability |
| Free from silicone  | yes  |
| Electrical data   |  |
| Operating voltage [V]   | < 60 AC/DC   |
| Protection class  | II   |
| Max. current load total [A]                                     | 3  |
| Operating conditions  |  |
| Ambient temperature [°C]  | -25...90   |
| Ambient temperature (moving) [°C]                               | -25...90   |
| Storage temperature [°C]  | -25...55   |
| Storage humidity [%]  | 10...100   |
| Other climatic conditions for storage according to stated class | 1K22/ DIN 60721-3-1  |
| Protection  | IP 65; IP 67; IP 68; IP 69K  |
| Mechanical data   |  |
| Weight [g]  | 72.3   |
| Moulded-body material   | TPU  |
| Material nut  | brass, nickel-plated   |
| Sealing material  | FKM  |

# EVC614



## Y connection cable

YDOGH050MSS00,3H05STGH050MSS

|                              |                                 |  |
|------------------------------|---------------------------------|--|
| Number of ports splitter box | 2                               |  |
| Drag chain suitability       | yes                             |  |
| Drag chain suitability       | bending radius for flexible use | min. 10 x cable diameter   |
|                              | travel speed                    | max. 3.3 m/s for a horizontal travel length of 5 m and max. acceleration of 5 m/s <sup>2</sup> |
|                              | bending cycles                  | > 5 Mio.   |
|                              | torsional strain                | ± 180 °/m  |

### Remarks

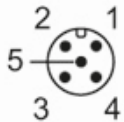
|               |   |
|---------------|---|
| Notes         | Please see the technical note under "Downloads" |
| Pack quantity | 1 pcs.  |

### Electrical connection

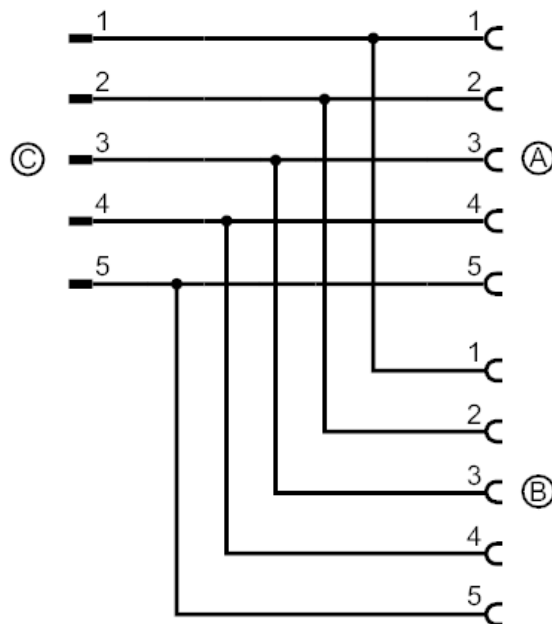
Cable: 0.3 m, PUR, Halogen-free, black, Ø 4.6 mm; 5 x 0.34 mm<sup>2</sup> (42 x Ø 0.1 mm )

### Electrical connection - plug

Connector: 1 x M12, straight; coding: A; Moulded body: TPU, orange; Locking: brass, nickel-plated; Contacts: gold-plated; Tightening torque: 0.6...1.5 Nm



### Connection



# EVC614

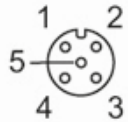


## Y connection cable

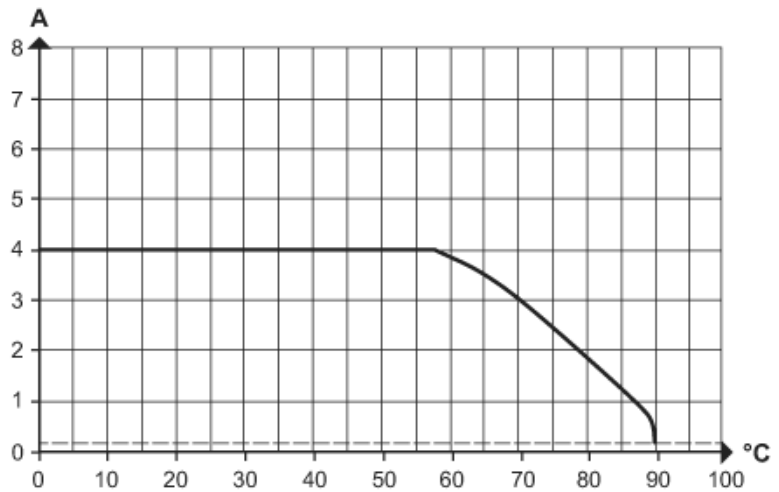
YDOGH050MSS00,3H05STGH050MSS

### Electrical connection - socket

Connector: 2 x M12, straight; coding: A; Moulded body: TPU, orange; Locking: brass, nickel-plated; Sealing: FKM; Contacts: gold-plated; Tightening torque: 0.6...1.5 Nm



### Diagrams and graphs



Derating  $I_{max} * 0.8$  DIN EN 60512-5-2

X Ambient temperature [°C]

Y Current [A]