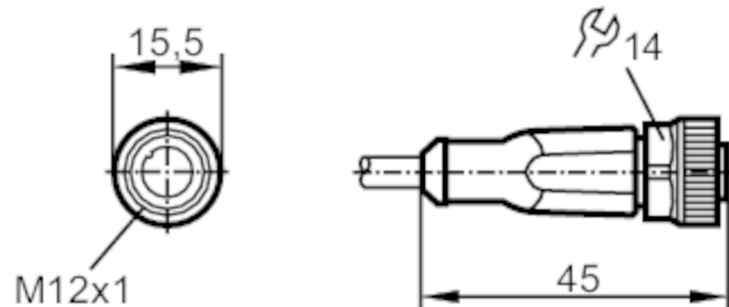


EVC490



Connecting cable with socket

ADOGH040MSS0002H04



Application

| | |
|--------------------|--|
| Special feature | Free from silicone; Halogen-free; Gold-plated contacts; Drag chain suitability |
| Free from silicone | yes |

Electrical data

| | |
|-----------------------------|-----------------|
| Operating voltage [V] | 250 AC / 300 DC |
| Protection class | II |
| Max. current load total [A] | 4 |

Operating conditions

| | |
|---|-----------------------------|
| Ambient temperature [°C] | -25...90 |
| Ambient temperature (moving) [°C] | -25...90 |
| Storage temperature [°C] | -25...55 |
| Storage humidity [%] | 10...100 |
| Other climatic conditions for storage according to stated class | 1K22/ DIN 60721-3-1 |
| Protection | IP 65; IP 67; IP 68; IP 69K |

Mechanical data

| | |
|------------------------|----------------------|
| Weight [g] | 85 |
| Dimensions [mm] | 15.5 x 15.5 x 45 |
| Moulded-body material | TPU |
| Material nut | brass, nickel-plated |
| Sealing material | Viton |
| Drag chain suitability | yes |

EVC490



Connecting cable with socket

ADOGH040MSS0002H04

| | | |
|------------------------|---------------------------------|--|
| Drag chain suitability | bending radius for flexible use | min. 10 x cable diameter |
| | travel speed | max. 3.3 m/s for a horizontal travel length of 5 m and max. acceleration of 5 m/s ² |
| | bending cycles | > 5 Mio. |
| | torsional strain | ± 180 °/m |

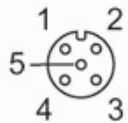
| Remarks | |
|---------------|---|
| Remarks | conditioning at 93°C and 90% relative air humidity for 4 weeks according to IEC 60079-0 Specially designed for use with DI602A |
| Pack quantity | 1 pcs. |

Electrical connection

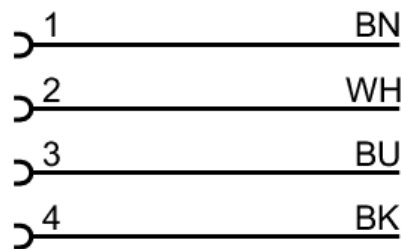
Cable: 2 m, PUR, Halogen-free, black, Ø 4.9 mm; 4 x 0.34 mm² (42 x Ø 0.1 mm)

Electrical connection - socket

Connector: 1 x M12, straight; coding: A; Moulded body: TPU, orange; Locking: brass, nickel-plated; Sealing: Viton; Contacts: gold-plated; Tightening torque: 0.6...1.5 Nm



Connection



Core colours :
 BK = black
 BN = brown
 BU = blue
 WH = white

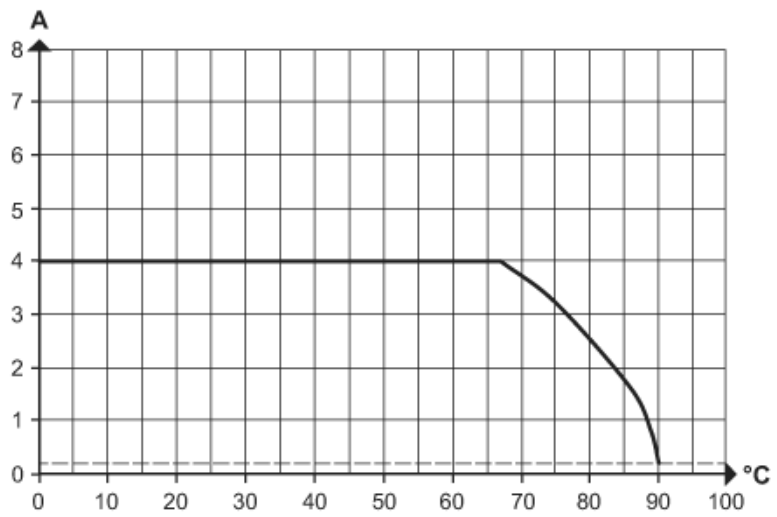


Connecting cable with socket

ADOGH040MSS0002H04

Diagrams and graphs

characteristic line for derating



Derating $I_{max} * 0.8$ (DIN EN 60512-5-2)

X Ambient temperature [°C]

Y Current [A]