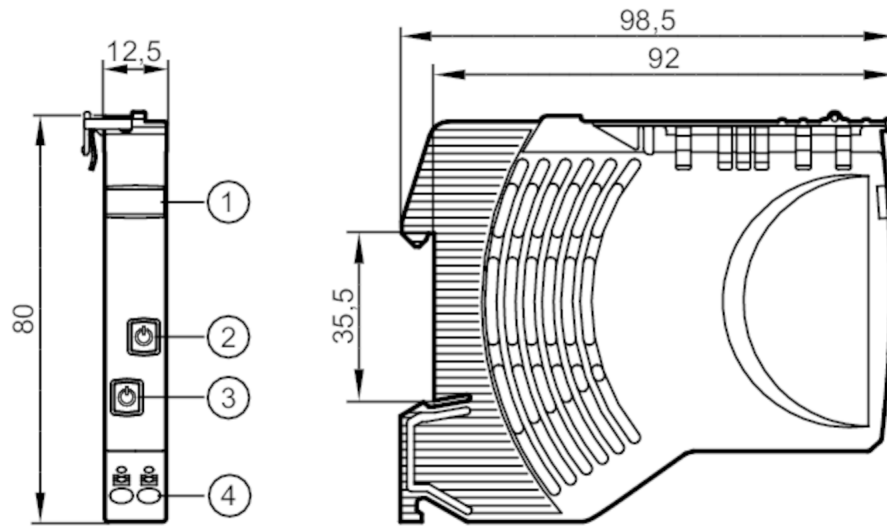


# DF2212



## Electronic circuit breaker

Fuse/IO-Link/24VDC/2x2A



- 1 panel for labelling
- 2 pushbutton on / off / reset status LED 2
- 3 pushbutton on / off / reset status LED 1
- 4 push-in terminals Outputs 1/2



Electrical data		
Operating voltage	[V] to SELV/PELV ; "supply class 2" according to UR	
Nominal voltage DC	[V] 24	
Input voltage DC	[V] 19.2...30	
Protection class	III	
Mains buffering time (nominal voltage 24 V DC)	[ms] 10	
Closed-circuit current	[mA] 8	
Number of channels	2	
Nominal current	[A] 2	
Nominal current (Fail Safe Element)	[A] 2	
Outputs		
Load capacitance, total	[mF] 10	
Operating conditions		
Ambient temperature	[°C] -25...60	
Storage temperature	[°C] -40...70	
Protection	IP 20; (on the front)	
Pollution degree	2	
Tests / approvals		
EMC	EN 61000-6-3	radiation of interference
	EN 61000-6-2	immunity
Mechanical data		
Weight	[g] 72.5	

# DF2212



## Electronic circuit breaker

Fuse/IO-Link/24VDC/2x2A

Dimensions [mm] 80 x 12.5 x 98.5

### Displays / operating elements

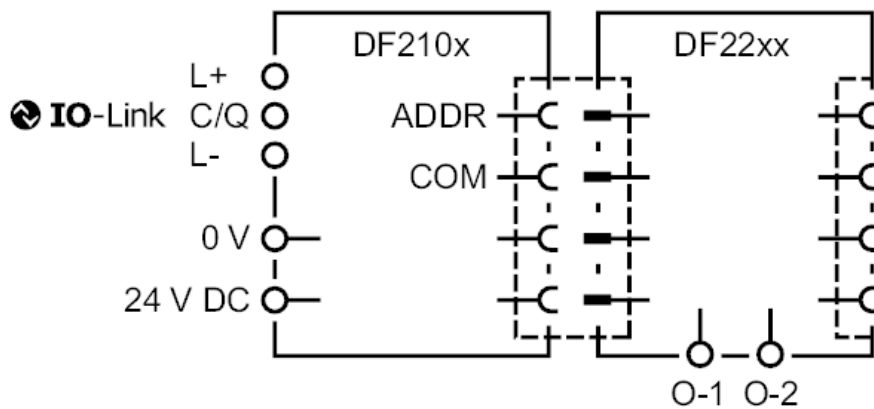
Display	status	2 x LED, red / green / orange
Operating elements	2 x	pushbutton

### Electrical connection

push-in terminals:

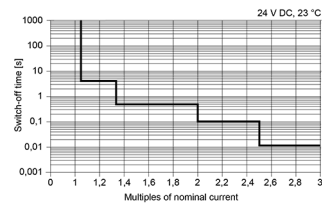
contact lever/strip:

### Connection



### Diagrams and graphs

output characteristics



time-current characteristics