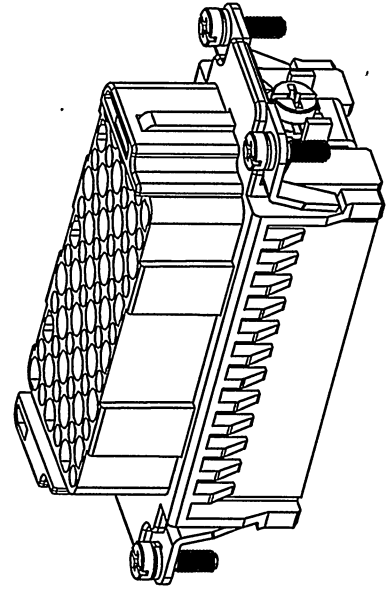
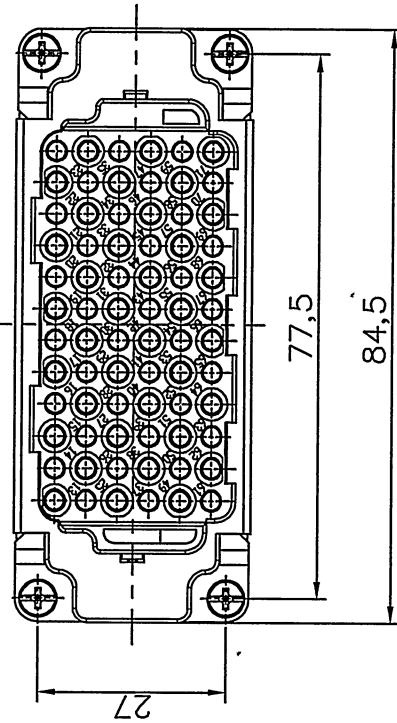
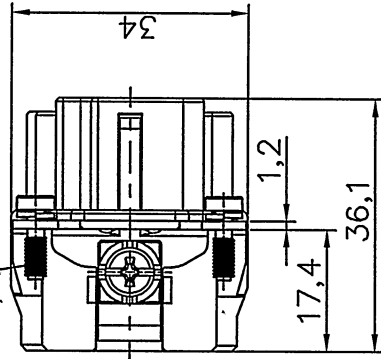


REVISION RECORD				
REV	ECN	DESCRIPTION	DRFT	DATE

M3x10



**Technical characteristics:**

Specifications  
 DIN EN 60 664-1  
 DIN EN 61 984

**Inserts**

- 01. Number of contacts :72+PE
- 02. Rated Current :10A
- 03. Rated Voltage :250V
- 04. Pollution degree :3
- 05. Rated impulse voltage :4kv<sub>10</sub>
- 06. Insulation resistance :≥10<sup>10</sup>Ω
- 07. Material:Polycarbonate
- 08. Rated voltage acc. to UL/CSA:600V
- 09. Limiting temperatures :-40°C~+125°C
- 10. Flammability acc. to UL94:V0
- 11. Mechanical working life (mating cycles) :≥500

**Contacts**

- 01. Material:Copper alloy
- 02. Surface:hard-silver plated
- 03. Contact resistance :≤3mΩ
- 04. Terminal :Crimp terminal
- 05. Wire gauge :0.14-2.5mm<sup>2</sup> (AWG 26-14)
- 06. Stripping length :6-8mm

Note:Crimp contact pins should order separately

PART NO. /		NINGBO DEGSON ELECTRICAL CO., LTD 宁波高松电子有限公司	
APPD: HYS 2016-10-8	NAME: DDD-072-FC		
CHKD: JYM 2016-10-8	TITLE: CUSTOMER DRAWING		
DRFT: Mr. Yang 2016.09.25	DRAWING NO.: DDD-072-FC-E01		
THIRD ANGLE PROJECTION		REV	DO-1
		SHEET	1/1
		DO NOT SCALE DRAWING	SCALE 1:1