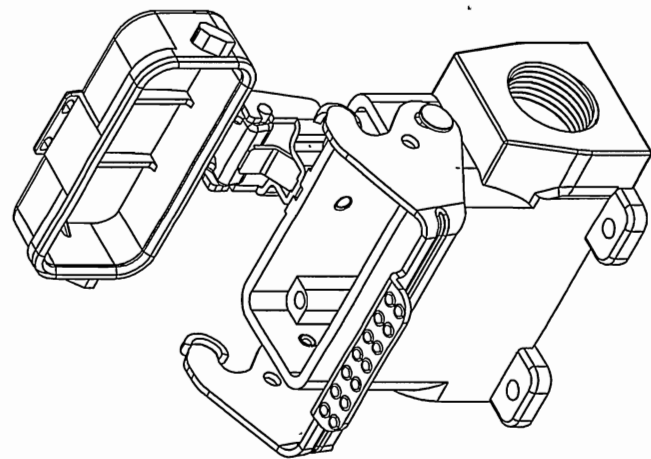
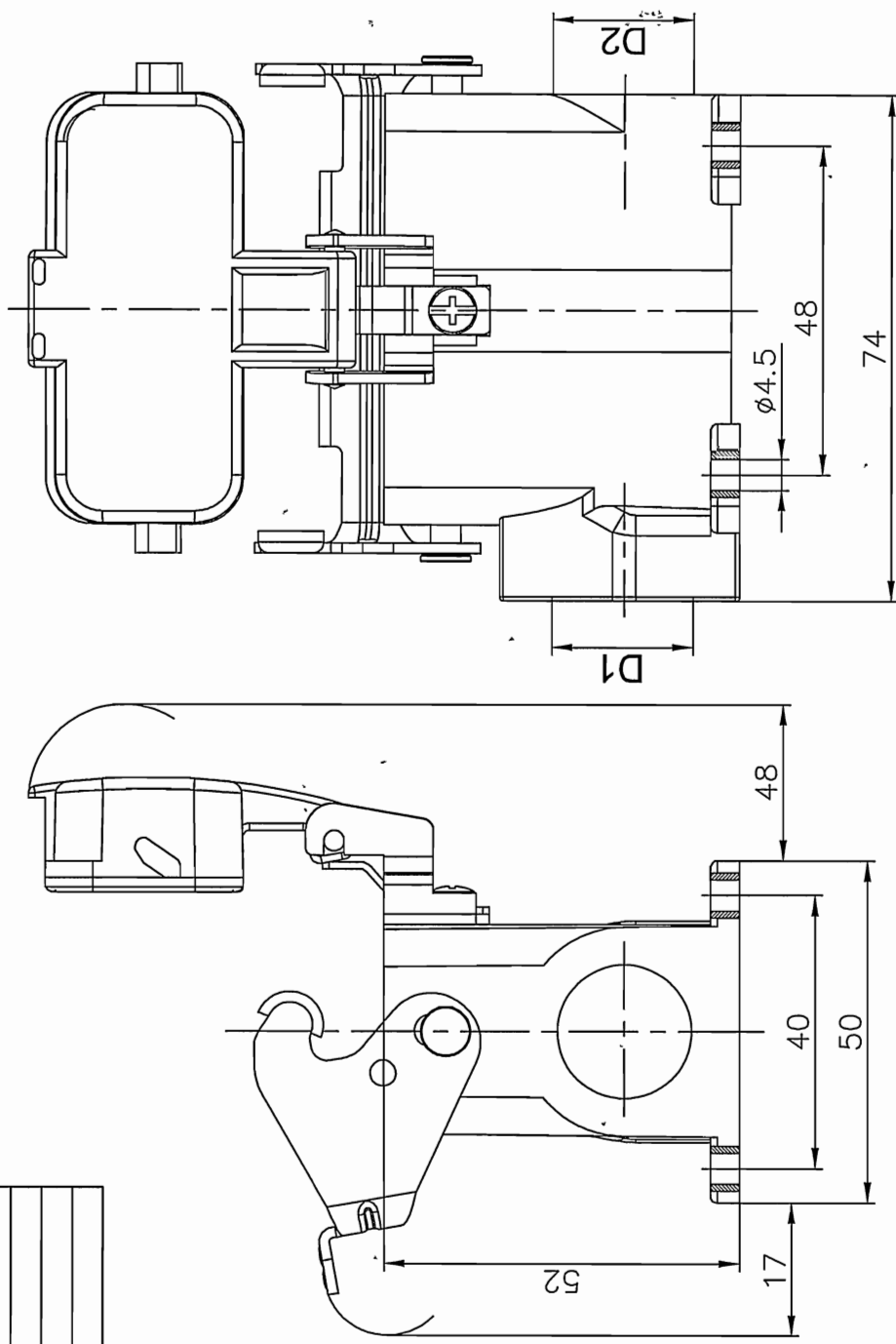


TYPE	Thread		Selection
	D1	D2	
D10A-SF-IL-CV-M20	M20	—	
D10A-SF-IL-CV-2M20	M20	M20	
D10A-SF-IL-CV-M25	M25	—	
D10A-SF-IL-CV-PG16	PG16	—	
D10A-SF-IL-CV-2PG16	PG16	PG16	
D10A-SF-IL-CV-PG21	PG21	—	

REVISION RECORD				
REV	ECN	DESCRIPTION	DRFT	DATE



- Housings Feature**
01. Material: Aluminium die-cast
 02. Surface: Powder-coated
 03. Color: grey (RAL 7037)
 04. Covers: Plastic
 05. Material: Metal zinc-plated (Lever)
 06. Limiting temperatures: -40 °C ~ +125 °C
 07. Flammability acc to UL94: V0
 08. Degree of protection acc. to EN60529 for coupled connector: IP65
 09. Rohs Compliance

PART NO.:	DEGSON® NINGBO DEGSON ELECTRICAL CO., LTD
APPD: <i>MYS 2016.8.8</i>	NAME: D10A-SF-1L-CV-MPG
CHKD: <i>CHK 2016.9.1</i>	TITLE: CUSTOMER DRAWING
DRFT: Mr.yang	2016.08.15
THIRD ANGLE PROJECTION	DRAWING NO.:
	DO NOT SCALE DRAWING
	SCALE: 1:1