

5311 3500	DATA SHEET	
Valid from: 02.12.2021	SKINTOP® COLD M / COLD-R M	

The SKINTOP® COLD M / COLD-R M is a nickel-plated brass cable gland with metric connecting thread which combines high quality in regard to consistency and reliability. This non-halogen gland is especially designed for use in application areas with a very high demand on mechanical stability and cold resistance, for example the air conditioning technology (freezing plants, cold stores, etc.) and the Off-Shore-Area.



Components:

Gland body	Brass, nickel-plated
Cap nut	Brass, nickel-plated
Insert with lamellar cage	Special polyamide
Sealing ring	Silicone
O-ring	Silicone

Technical features:

Connecting thread	M12x1.5 up to M63x1.5 in acc. to EN 60423
Protection class	Sizes M12, M16, M20: IP68 – 10 bar, test acc. to EN 60529 Sizes M25 up to M63: IP68 – 5 bar, test acc. to EN 60529 Type 1, Type 2, Type 4X, Type 6 and Type 12 acc. to UL50E, CSA C22.2 No. 94.2-15
Temperature range	-70° C up to + 100° C
Design	COLD M Standard COLD M-R with reducing sealing ring (for smaller cable diameters)
Corrosion protection	Salt spray test (168 H. / 35°C) acc. to DIN EN ISO 9227

Other characteristics:

- Maximum reliability
- Strain relief
- Large, variable clamping ranges
- High cold resistance
- Cold impact resistance
- Ozone resistance
- UV-resistance
- Oil-resistance
- Non-halogen

Approvals:



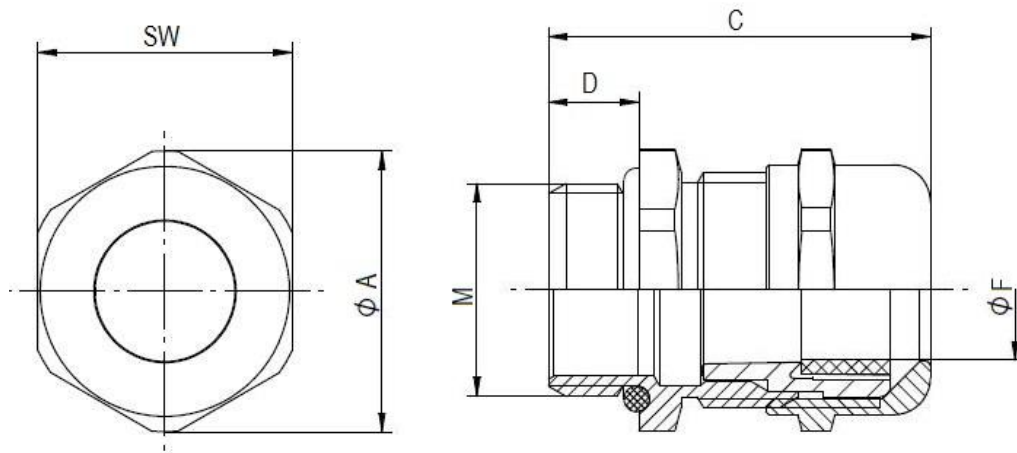
UL File Nr. 79903
(Test in acc. to UL514B)

Norm references:



Creator: VACH1/PDP Released: DAMU1/PDP	Document: DB53113500EN Version: 09	Page 1 of 2
---	---------------------------------------	-------------

5311 3500	DATA SHEET	
Valid from: 02.12.2021	SKINTOP® COLD M / COLD-R M	



SKINTOP® COLD M

M	SW [mm]	Ø A [mm]	C [mm]	D [mm]	Ø F [mm] Clamping range	O-ring [mm]	Article No.
M12x1,5	16	17,6	26,5	6,5	3,5-7	9x2	53113500
M16x1,5	20	22,0	33,0	7,0	4,5-10	13x2	53113510
M20x1,5	24	26,4	37,0	8,0	7-13	17x2	53113520
M25x1,5	29	31,9	38,5	8,0	9-17	22x2	53113530
M32x1,5	36	39,6	45,5	9,0	11-21	28x2	53113540
M40x1,5	45	49,5	48,0	9,0	19-28	36x2	53113550
M50x1,5	54	59,0	55,5	10,0	27-35	46x2	53113560
M63x1,5	67	73,5	67,0	15,0	34-45	57x2	53113570

SKINTOP® COLD-R M

M	SW [mm]	Ø A [mm]	C [mm]	D [mm]	Ø F [mm] Clamping range	O-ring [mm]	Article No.
M12x1,5	16	17,6	26,5	6,5	1-5	9x2	53113600
M16x1,5	20	22,0	33,0	7,0	2-7	13x2	53113610
M20x1,5	24	26,4	37,0	8,0	5-10	17x2	53113620
M25x1,5	29	31,9	38,5	8,0	6-13	22x2	53113630
M32x1,5	36	39,6	45,5	9,0	7-15	28x2	53113640
M40x1,5	45	49,5	48,0	9,0	15-23	36x2	53113650
M50x1,5	54	59,0	55,5	10,0	22-29	46x2	53113660
M63x1,5	67	73,5	67,0	15,0	28-39	57x2	53113670

For more information please see our current catalogue. Please do not hesitate to contact our laboratory if there are any questions regarding resistance against aggressive agents and special oil.

Creator: VACH1/PDP Released: DAMU1/PDP	Document: DB53113500EN Version: 09	Page 2 of 2
---	---------------------------------------	-------------