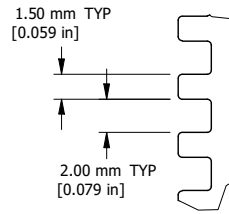
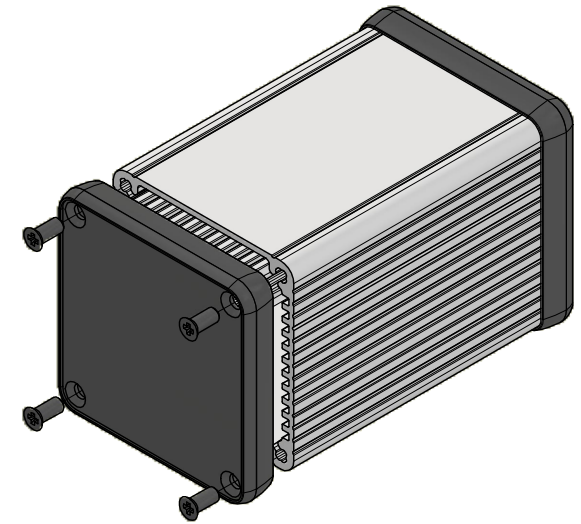


EXTRUSION

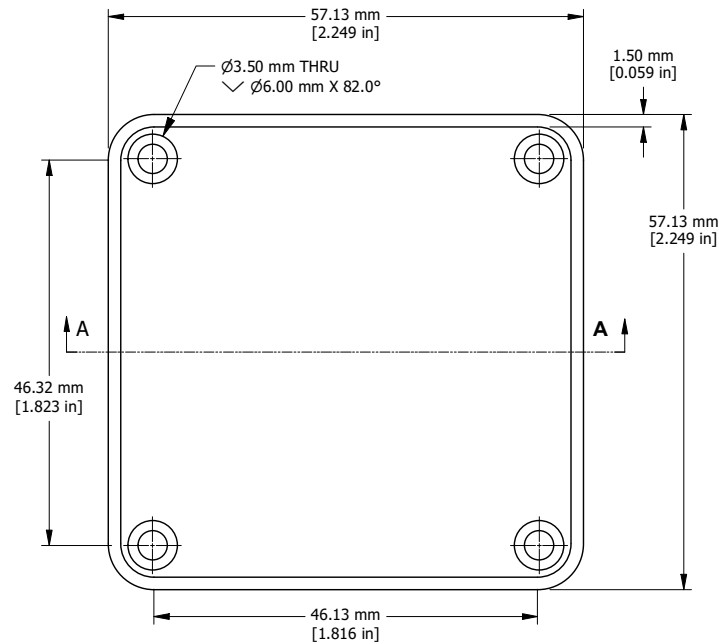
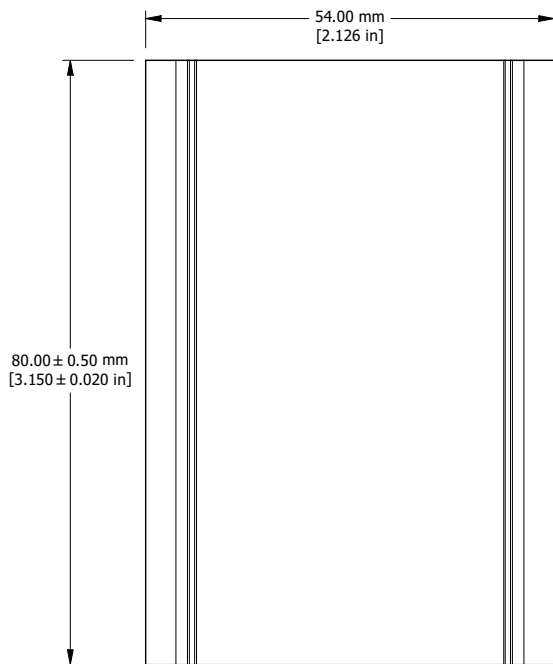


DETAIL A

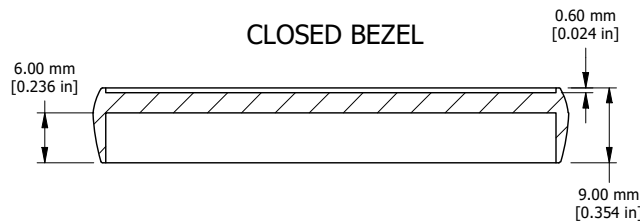
EXTRUSION DESIGNED FOR 50MM PC BOARD



ISOMETRIC VIEW



CLOSED BEZEL



SECTION A-A

Enclosures can be Factory Modified ( Milling, Drilling, Printing etc. )  
 Solid models of this enclosure available in STEP or IGES.  
 Contact Factory [mjm@hammondmfg.com](mailto:mjm@hammondmfg.com)

NOTE	
Purchased assembly includes box, plastic bezels, end panels, #6 Taptight screws and self adhesive rubber feet.	
Box made from Extruded Aluminum 6063.	
Bezels made with ABS	
1455CS802	
PART NUMBERS	
Clear Anodized	1455CS802
Black Anodized	1455CS802BK
ACCESSORIES	
See website for accessories.	

**HAMMOND MANUFACTURING™**  
**1455CS802**  
[www.hammondmfg.com](http://www.hammondmfg.com)