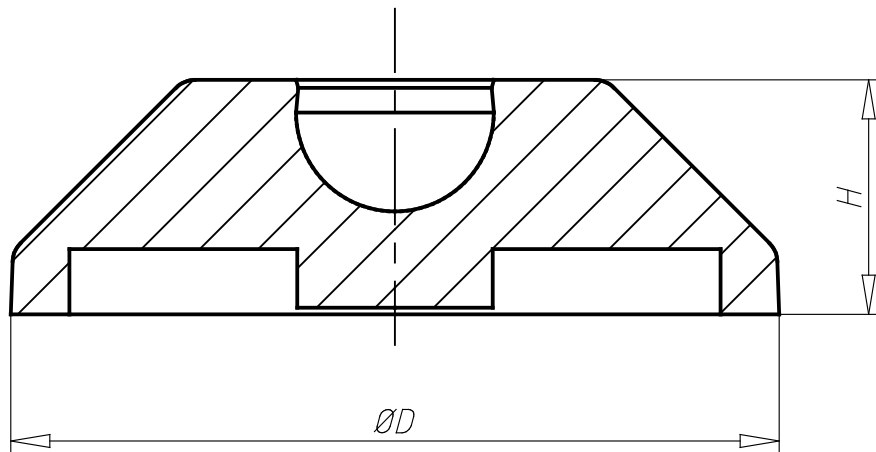


Trapezoid Base for Swivel Feet, Ball Joint 15

098DI080ZS



PARTNR (Part #)	BASE (Base)	DES (Description)	D (/ mm)	H (/ mm)	MAXL (Max. Load / kg)	WEIGHT (Weight / g)	CTN (Customs Tariff Number)	ID (ID #)
098DI080ZS	80	Without Anti-Slip Plate	76	20	3000	199	79070000	104066